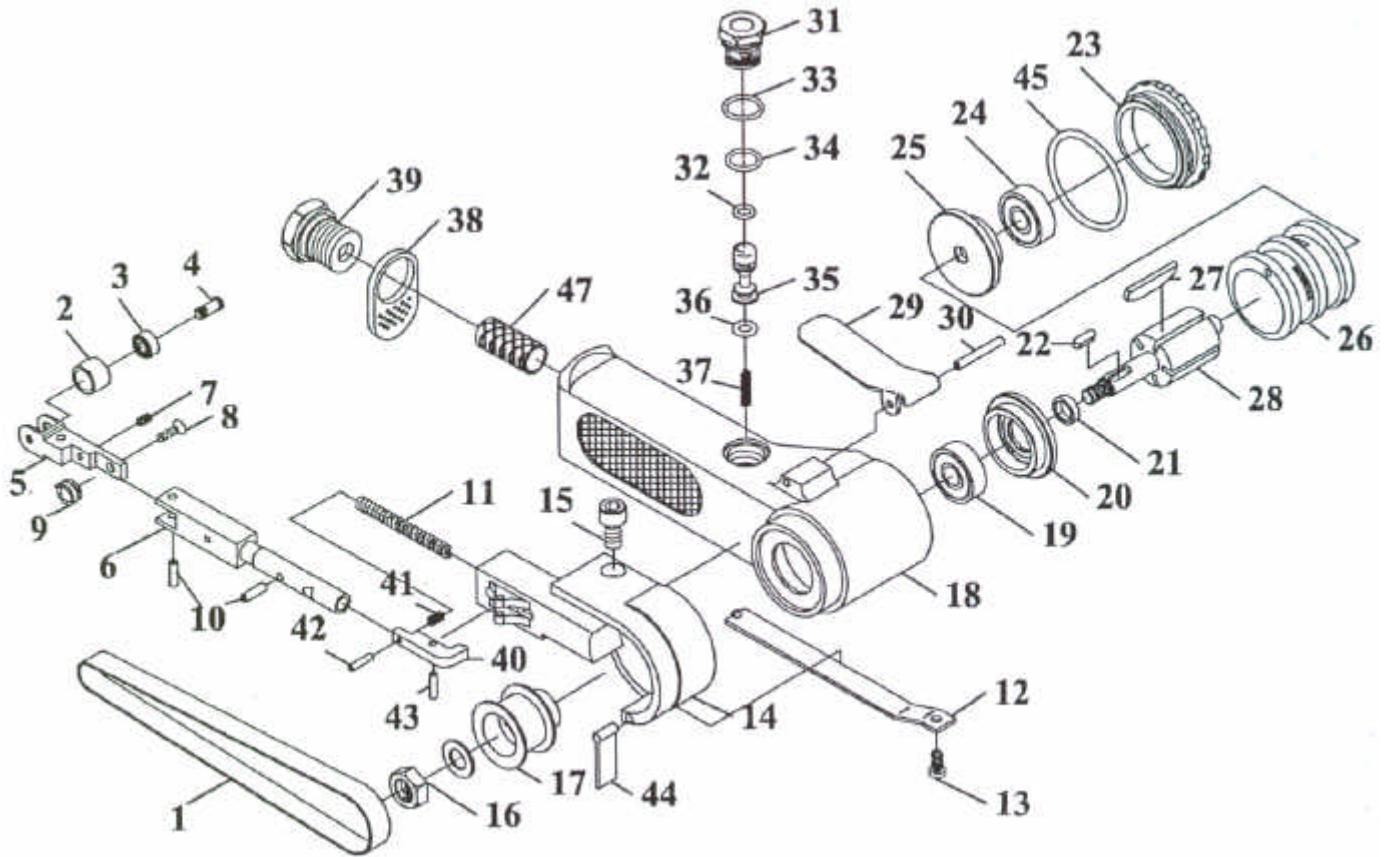




# GISON Pneumatic Tools

## GP-902 Air Belt Sander



### PARTS LIST (New Model Is effective from March 01st,2006)

✱ :Consuming Part

Item No.	Part No.	Description	Qty.	Item No.	Part No.	Description	Qty.
1	902001	Grinding Belt (#80,100,120)	3	22	902022	Sunk Key 3x3x10	1
2	902002	Idle Pulley 10 sub Assy.	1 set	23	902023	Cap	1
3	902003	Washer (only for old model)	1	24	B607ZZ	Ball Bearing 607ZZ	1
4	902004	Idle Pulley shaft 10 (old model)	1	25	902025	End Plate A	1 set
	902004A	Idle Pulley shaft 10 (new model)		26	902026	Cylinder	1
5	902005	Bracket 10 (old model)	1	✱ 27	902027	Blade Assy. (5 pcs/set)	1 set
	902005A	Bracket 10 (new model)		28	902028	Rotor	1
6	902006	Tension Bar 10	1	29	902029	Throttle Lever	1
7	902007	Hexagon Socket Headless Set Screw 3x6	1	30	902030	Lever Pin	1
8	902008	Cross-Recessed Flat Head Machine Screw 3x8	1	31	902031	Valve Body	1 set
				32	902032	O-Ring	
9	902009	Spring 1.0x7.2x6.5	1	33	902033	O-Ring	1
10	902010	Spring Pin 3x10	2	34	902034	O-Ring S-7	1
11	902011	Spring 1.07x4.0x35.5	1	35	902035	Valve Stem	1
12	902012	Shoe 10	1	36	902036	O-Ring	1
13	902013	Cross-Recessed Pan Head Machine Screw 4x8	1	37	902037	Valve Spring	1
				38	902038	Deflector	1
14	902014	Guard Sub Assy. A	1 set	39	902039	Air Inlet	1
15	CAP005	Cap Screw 5x12	1	40	902040	Tension Bar	1 set
16	902016	Hexagon Nut M6	1	41	902041	Spring	1
17	902017	Drive Pulley	1	42	902042	Lever Pin	1
18	902018	Housing	1	43	902043	Lever Pin	1
19	902019	Ball Bearing 628ZZ	1	44	902044	Dust Cover	1
20	902020	End Plate B	1	45	902045	O-Ring	1
21	902021	Spacer 8x11x3	1	46	902046	Washer	1
				47	902047	Wool	1