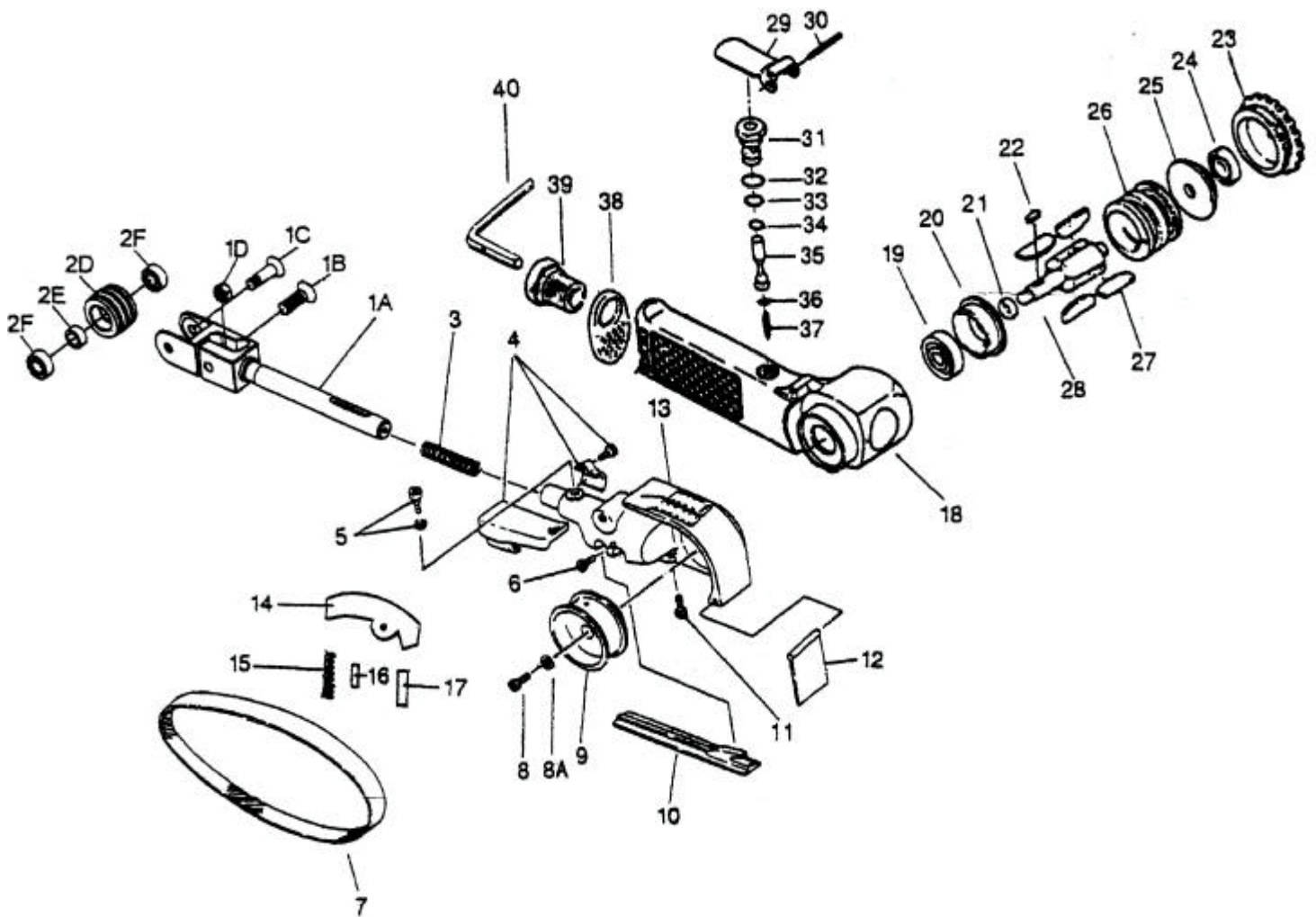


# GISON Pneumatic Tools

## GP-902A Air Belt Sander



### PARTS LIST

✳ : Consuming Part

Item No.	Part No.	Description	Qty.	Item No.	Part No.	Description	Qty.
1	902A01A	Idle Pulley Bracket Sub Ass'y	1	24	902A018	Housing	1
2	902A01B	Set Screw	1	25	902A019	Ball Bearing	1
3	902A01C	Screw	1	26	902A020	End Plate B	1
4	902A01D	Net	1	27	902A021	Spacer	1
5	902A02D	Idler Pulley	1	28	902A022	Sunk Key	1
6	902A02E	Washer	1	29	902A023	Cap	1
7	902A02F	Ball Bearing 686ZZ	2	30	902A024	Ball Bearing	1
8	902A003	Spring	1	31	902A025	End Plate A	1
9	902A004	Finger Pad Assy	1	32	902A026	Cylinder	1
10	902A005	Key Bolt Assy	1	33	902A027	Blade (5pc/set)	5
11	902A006	Hexagon Sooket Head Bolt	1	34	902A028	Rotor	1
12	902A007	Grinding Belt	1	35	902A029	Throttle Lever	1
13	902A008	Hexagon Socket Head Bolt	1	36	902A030	Lever Pin	1
14	902A08A	Washer	1	37	902A031	Valve Body	1
15	902A009	Drive Pulley	1	38	902A032	O-Ring	1
16	902A010	Flat Shoe	1	39	902A033	O-Ring	1
17	902A011	Hexagon Socket Head Bolt	1	40	902A034	O-Ring	1
18	902A012	Dust Cover	1	41	902A035	Valve Stem	1
19	902A013	Guard Body	1	42	902A036	O-Ring	1
20	902A014	Tension Bar	1	43	902A037	Valve Spring	1
21	902A015	Spring	1	44	902A038	Deflector	1
22	902A016	Lever Pin	1	45	902A039	Air Inlet	1
23	902A017	Lever Pin	1	46	902A040	Hex. Wrench 4mm	1