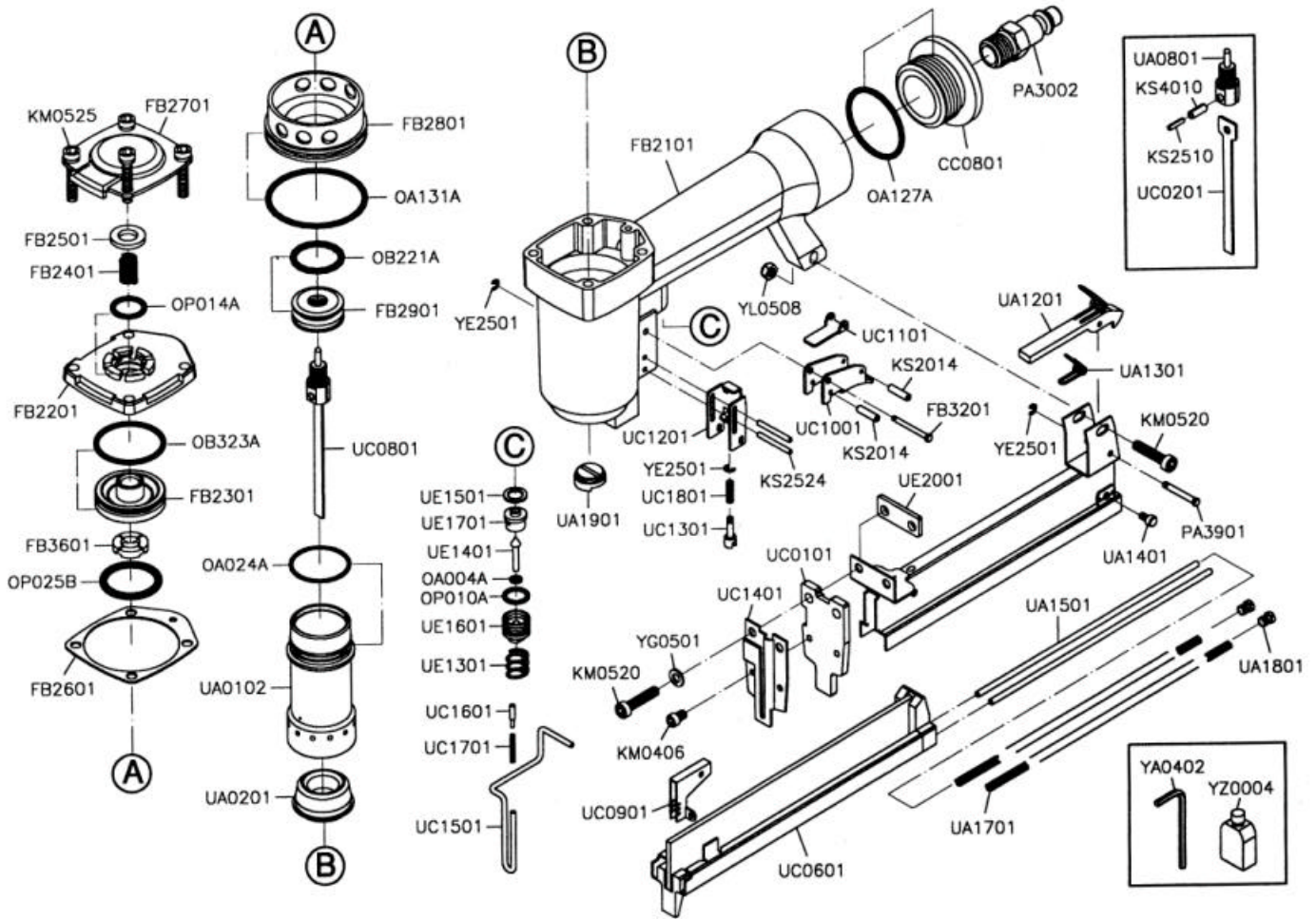


吉生 GISON

GP-90/25 Medium Wire Air Stapler



PARTSLIST

✿ : Consuming Part

Item No.	Part No.	Description	Qty.	Item No.	Part No.	Description	Qty.	Item No.	Part No.	Description	Qty.
1	CC0801	End Cap	1	23	OA131A	O-Ring (Arp568-131)	1	45	UC0901	Pusher	1
2	FB2101	Body	1	24	OB221A	O-Ring (22 × 3)	1	46	UC1001	Trigger	1
3	FB2201	Cylinder Cap	1	25	OB323A	O-Ring (31.8 × 2.4)	1	47	UC1101	Contact Lever	1
4	FB2301	Head Valve Piston	1	26	OP010A	O-Ring (P10)	1	48	UC1201	Safety Set	1
5	FB2401	Compression Spring	1	27	OP014A	O-Ring (P14)	1	49	UC1301	Shaft	1
6	FB2501	Seal	1	28	OP025B	O-Ring (1B) (P25)	1	50	UC1401	Safety Guide	1
7	FB2601	Cap Seal	1	29	PA3002	Coupling Plug (¼")	1	51	UC1501	Safety	1
8	FB2701	Exhaust Cap	1	30	PA3901	Latch Spring	1	52	UC1601	Spring Shaft	1
9	FB2801	Cylinder Ring	1	31	UA0102	Cylinder	1	53	UC1701	Spring	1
10	FB2901	Main Piston	1	32	UA0201	Bumper	1	54	UC1801	Spring	1
11	FB3201	Trigger Pin	1	33	UA0801	Stem	1	55	UE1301	Compression Spring	1
12	FB3601	Piston Stop	1	34	UA1201	Latch	1	56	UE1401	Trigger Valve Stem	1
13	KM0406	Hex.Soc.Hd.Bolt (M4 × 0.7-6L)	2	35	UA1301	Latch Spring	1	57	UE1501	Seal	1
14	KM0525	Hex.Soc.Hd.Bolt (M5 × 0.5-25L)	4	36	UA1401	Retainer Screw	2	58	UE1601	Trigger Valve Guide	1
15	KM0520	Hex.Soc.Hd.Bolt (M5 × 0.8-20L)	3	37	UA1501	Guide Stem	2	59	UE1701	Trigger Valve Seat	1
16	KS2014	Spring Pln (Ø2.0-14L)	2	38	UA1701	Pusher Spring	2	60	UE2001	Spacer	1
17	KS2510	Spring Pln (Ø2.5-10L)	1	39	UA1801	Hex.Soc.Set.Screw	2	61	YA0402	Hex Bar Wrench (D4)	1
18	KS2524	Spring Pln (Ø2.5-24L)	1	40	UA1901	Nozzle	1	62	YE2501	E-Ring (Ø2.5)	3
19	KS4010	Spring Pln (Ø4-10L)	1	41	UC0101	Cover Plate	1	63	YG0501	Spring Washer (Ø5)	2
20	OA004A	O-Ring (1.8 × 1.8)	1	42	UC0201	Driver	1	64	YL0508	Hex.Nut (M5 × 0.8)	1
21	OA024A	O-Ring (ARP568-024)	1	43	UC0601	Magazine Assy	1	65	YZ0004	Oil Box	1
22	OA127A	O-Ring (ARP568-127)	1	44	UC0801	Driver Assy.	1				