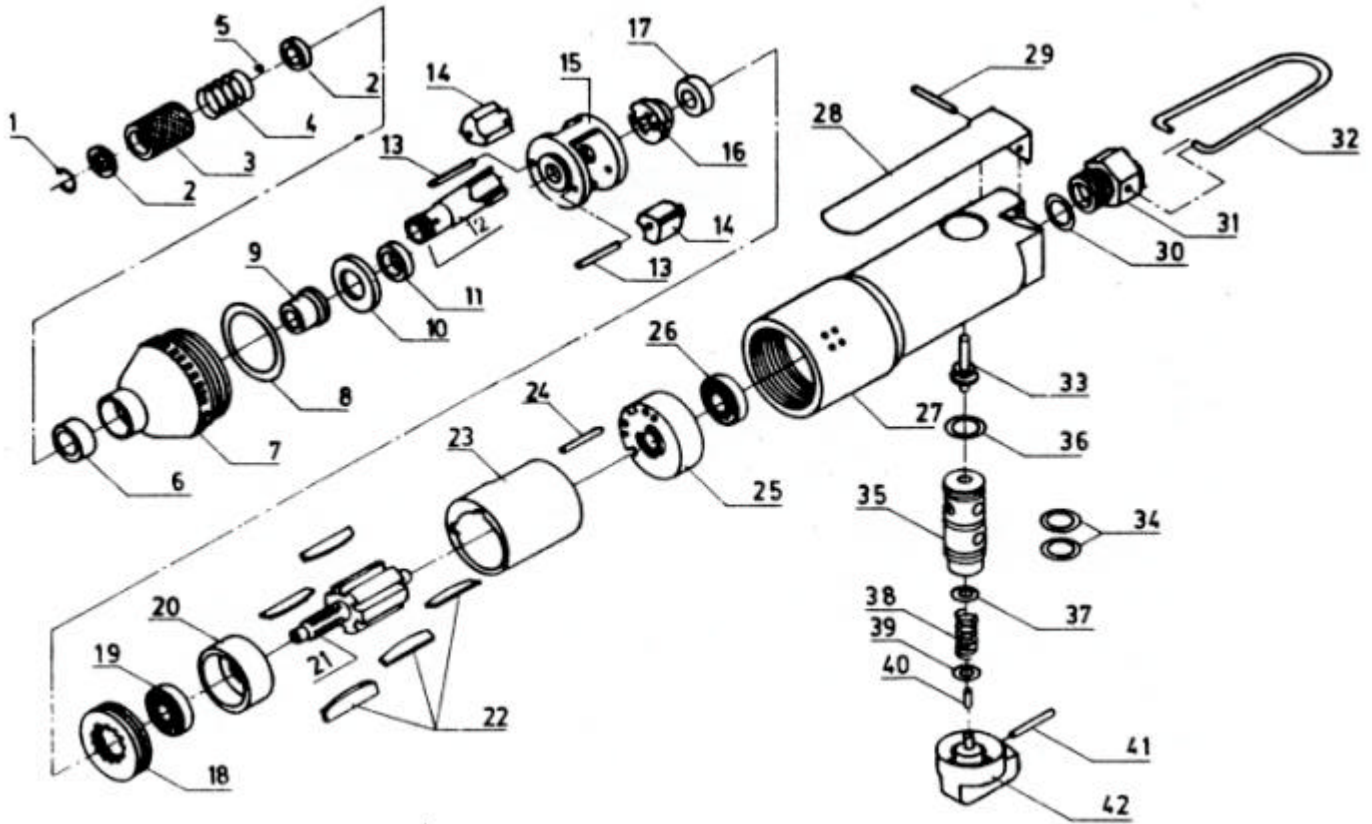


GISON Pneumatic Tools

GP-869 Air Screw Driver



PARTS LIST

✳ : Consuming Part

Item No.	Part No.	Description	Qty.	Item No.	Part No.	Description	Qty.
1	869001	Retaining Ring	1	✳ 22	869022	Rotor Blade	6
2	869002	Retaining Washer	2	23	869023	Cylinder	1
3	869003	Ball Retainer	1	24	869024	Cylinder Pin	1
4	869004	Ball Retainer Spring	1	25	869025	Rear End Plate	1
5	869005	Steel Ball (1/8")	1	26	869026	Ball Bearing (626)	1
6	869006	O-Ring	1	27	869027	Motor Housing	1
7	869007	Hammer Case	1	28	869028	Switch Lever	1
8	869008	O-Ring	1	29	869029	Lever Pin	1
9	869009	Anvil Bushing	1	30	869030	O-Ring	1
10	869010	Anvil Spacer	1	31	869031	Air Inlet	1
11	869060	Collar	1	32	869032	Hanger	1
12	869012	Anvil	1	33	869033	Pin	1
13	869013	Hammer Pin	2	34	869034	O-Ring	1
14	869014	Hammer Dog	2	35	869035	Bushing	1
15	869015	Hammer Seat	1	36	869036	O-Ring	1
16	869016	Cam	1	37	869037	O-Ring	1
17	869017	Soacer	1	38	869038	Reverse Spring	1
18	869018	Lock Nut	1	39	869039	O-Ring	1
19	869019	Ball Bearing (7/8") R6	1	40	869040	Pin	1
20	869020	Front Plate	1	41	869041	Pin	1
21	869021	Rotor	1	42	869042	Reverse Valve	1