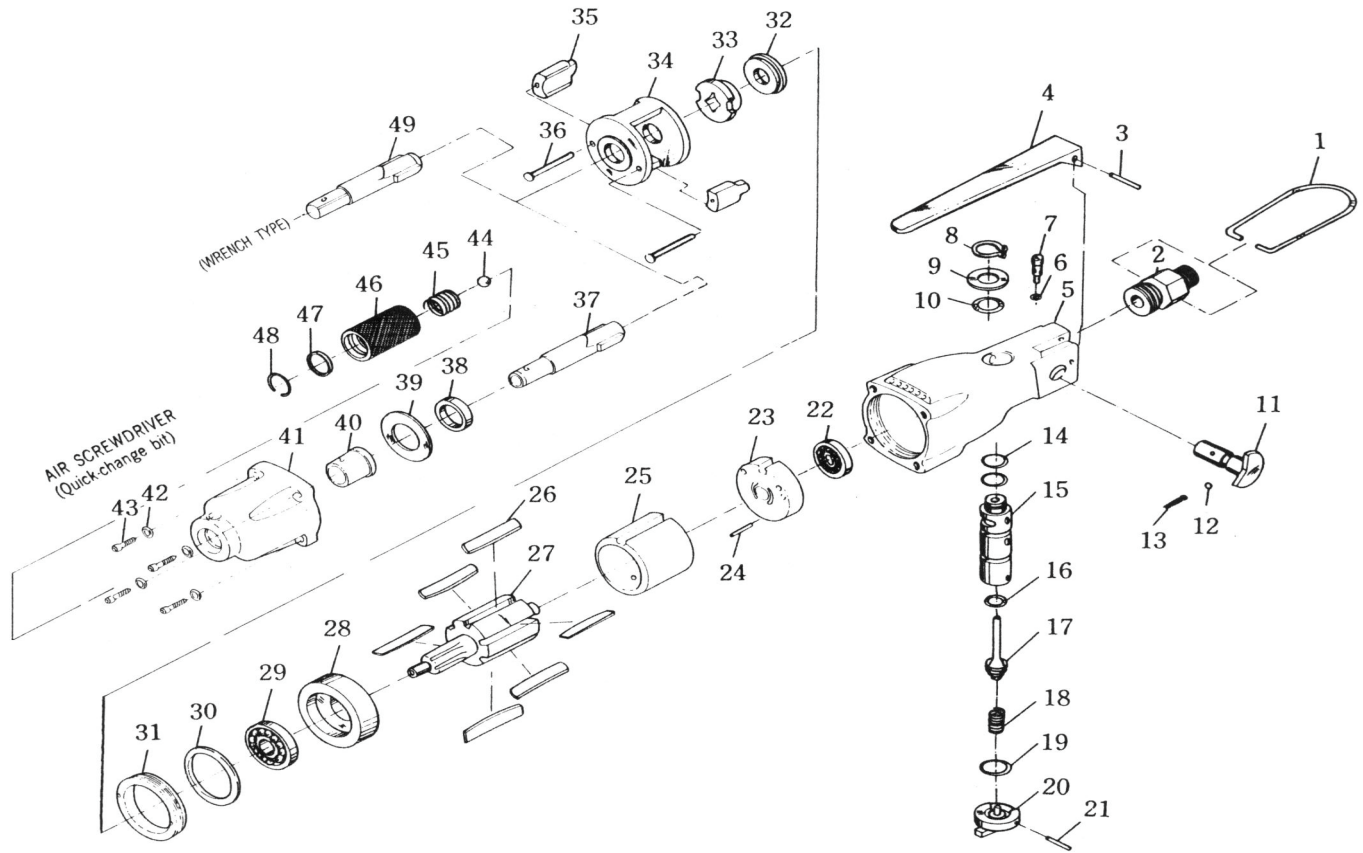




# GISON Pneumatic Tools

## GP-867D Air Screw Driver (Two Hammer Type)



### PARTS LIST

✳ : Consuming Part

Item No.	Part No.	Description	Qty.	Item No.	Part No.	Description	Qty.
1	867D01	Hook	1	25	867D25	Cylinder	1
2	867D02	Inlet Bushing	1	✳ 26	867D26	Rotor Blade	6
3	867D03	Pin	1	27	867D27	Rotor	1
4	867D04	Switch Lever	1	28	867D28	Front Plate	1
5	867D05	Housing	1	29	867D29	Ball Bearing	1
6	867D06	Washer	1	30	867D30	Ring	1
7	867D07	Screw	1	31	867D31	Nut	1
8	867D08	"C" Retainer Ring	1	32	867D32	Washer	1
9	867D09	Washer	1	✳ 33	867D33	Cam	1
10	867D10	O-Ring	1	34	867D34	Hammer Housing	1
11	867D11	Regulator	1	✳ 35	867D35	Hammer	2
12	867D12	Steel Ball	1	36	867D36	Pin	2
13	867D13	Spring	1	✳ 37	867D37	Anvil	1
✳ 14	867D14	O-Ring	2	38	867D38	Collar	1
15	867D15	Throttle Bushing	1	39	867D39	Washer	1
✳ 16	867D16	O-Ring	1	40	867D40	Sleeve	1
17	867D17	Throttle Pin	1	41	867D41	Housing Cap	1
18	867D18	Spring	1	42	867D42	Washer	4
✳ 19	867D19	O-Ring	1	43	867D43	Screw	4
20	867D20	Reverse Valve	1	✳ 44	867D44	Steel Ball	1
21	867D21	Pin	1	✳ 45	867D45	Spring	1
22	867D22	Ball Bearing	1	✳ 46	867D46	Spring Seat	1
23	867D23	Rear Plate	1	✳ 47	867D47	Washer	1
24	867D24	Pin	1	✳ 48	867D48	Circllet	1