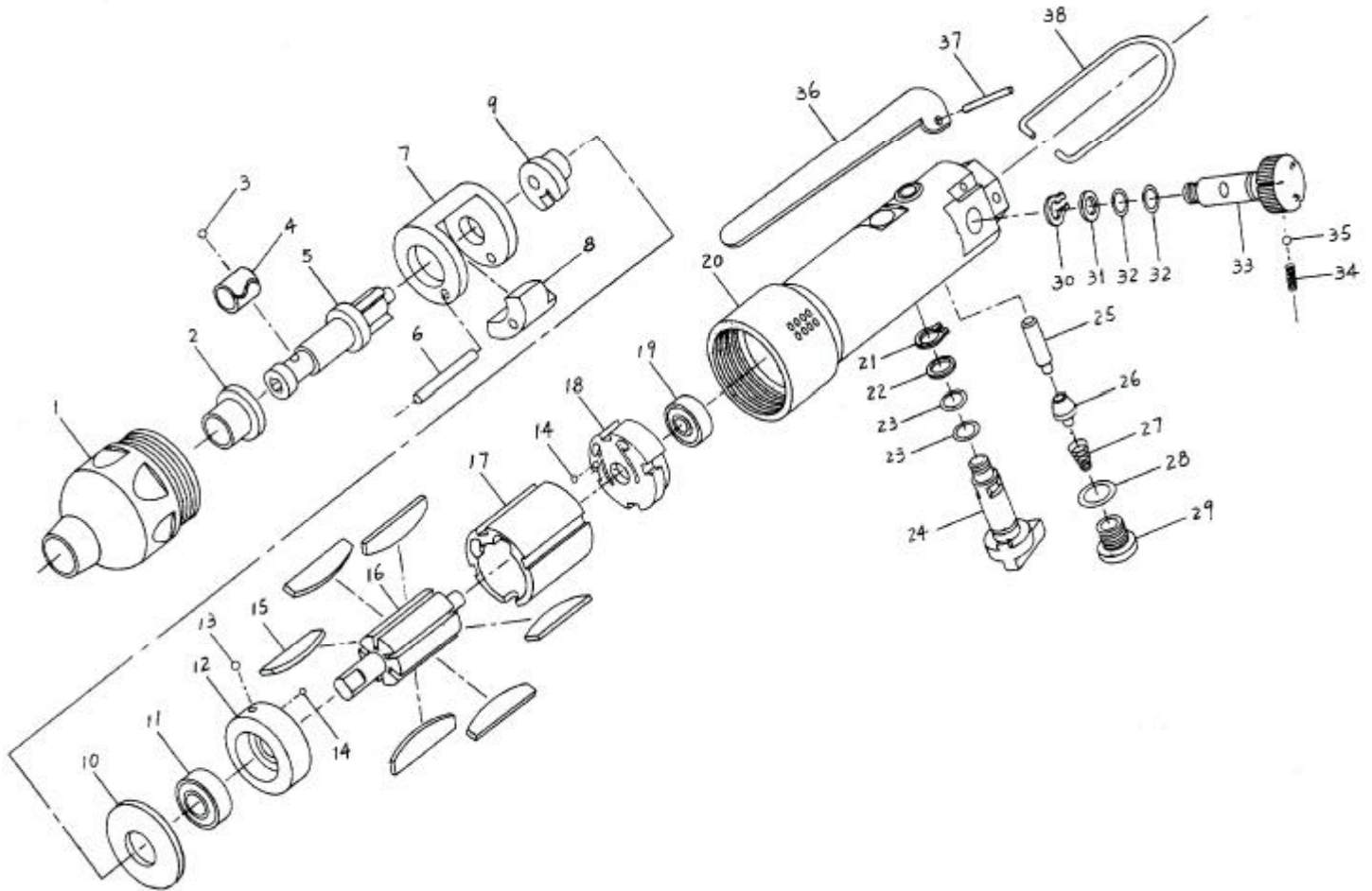


# GISON Pneumatic Tools

## GP-866C 4~5 mm Air Screw Driver



### PARTS LIST

✿ : Consuming Part

| Item No. | Part No. | Description       | Qty. | Item No. | Part No. | Description        | Qty. |
|----------|----------|-------------------|------|----------|----------|--------------------|------|
| 1        | 866C01   | Front Housing     | 1    | 20       | 866C20   | Housing            | 1    |
| 2        | 866C02   | Bushing           | 1    | 21       | 866C21   | Retaining Ring     | 1    |
| 3        | 866C03   | Steel Ball        | 1    | 22       | 866C22   | Washer             | 1    |
| 4        | 866C04   | Steel Ball Collar | 1    | 23       | 866C23   | O-Ring             | 1    |
| 5        | 866C05   | Anvil             | 1    | 24       | 866C24   | Reverse Valve      | 1    |
| 6        | 866C06   | Pin               | 1    | 25       | 866C25   | Valve Stem         | 1    |
| 7        | 866C07   | Hammer Seat       | 1    | 26       | 866C26   | Valve Stem Bushing | 1    |
| 8        | 866C08   | Hammer Dog        | 1    | 27       | 866C27   | Spring             | 1    |
| 9        | 866C09   | Cam               | 1    | 28       | 866C28   | O-Ring             | 1    |
| 10       | 866C10   | Washer            | 1    | 29       | 866C29   | Screw              | 1    |
| 11       | 866C11   | Ball Bearing      | 1    | 30       | 866C30   | Retaining Ring     | 1    |
| 12       | 866C12   | Front Plate       | 1    | 31       | 866C31   | Washer             | 1    |
| 13       | 866C13   | Steel Ball        | 1    | 32       | 866C32   | O-Ring             | 1    |
| 14       | 866C14   | Steel Ball        | 2    | 33       | 866C33   | Air Regulator      | 1    |
| ✿ 15     | 866C15   | Rotor Blade       | 6    | 34       | 866C34   | Spring             | 1    |
| 16       | 866C16   | Rotor             | 1    | 35       | 866C35   | Steel Ball         | 1    |
| 17       | 866C17   | Cylinder          | 1    | 36       | 866C36   | Switch Lever       | 1    |
| 18       | 866C18   | Rear End Plate    | 1    | 37       | 866C37   | Pin                | 1    |
| 19       | 866C19   | Ball Bearing      | 1    | 38       | 866C38   | Hook               | 1    |