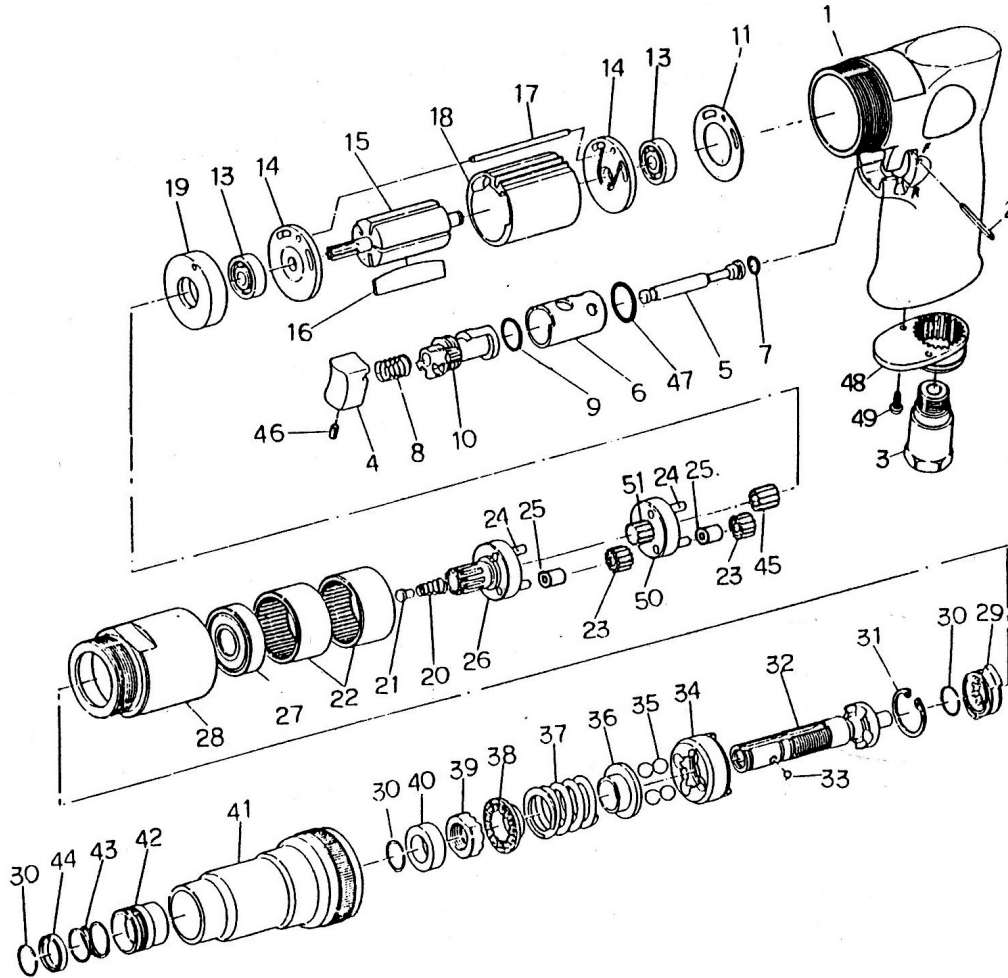




GISON Pneumatic Tools

GP-862H1 800 R.P.M. Screw Driver Adjustable Clutch



PARTS LIST

✳ : Consuming Part

Item No.	Part No.	Description	Qty.	Item No.	Part No.	Description	Qty.
1	862H101	Housing	1	27	862H127	Ball Bearing	1
2	862H102	Pin	1	28	862H128	Clamp Nut	1
3	862H103	Air Inlet	1	29	862H129	Drive Dog	1
4	862H104	Trigger	1	30	862H130	Retainer Ring	3
5	862H105	Valve Stem	1	31	862H131	Retainer Ring	1
6	862H106	Reverse Bushing	1	32	862H132	Cam Spindle	1
✳ 7	862H107	O-Ring	1	33	862H133	Steel Ball	1
8	862H108	Valve Spring	1	34	862H134	Clutch Carrier	1
✳ 9	862H109	O-Ring	1	35	862H135	Steel Ball	4
10	862H110	Reverse Lever	1	36	862H136	Washer	1
11	862H111	Motor Gasket	1	37	862H137	Spring	1
13	862H113	Ball Bearing	2	38	862H138	Washer	1
14	862H114	End Plate	2	39	862H139	Adjust Nut	1
15	862H115	Rotor	1	40	862H140	Spacer	1
✳ 16	862H116	Rotor Blade	5	41	862H141	Clutch Housing	1
17	862H117	Pin	1	42	862H142	Ball Retainer	1
18	862H118	Cylinder	1	43	862H143	Spring	1
19	862H119	Spacer	1	44	862H144	Washer	1
20	862H120	Spring	1	45	862H145	Pinion Gear	1
21	862H121	Spring Guide	1	✳ 46	862H146	Set Screw	1
22	862H122	Internal Gear	2	✳ 47	862H147	O-Ring	1
23	862H123	Planet Gear	6	48	862H148	Exhaust Diffuser	1
24	862H124	Pin	6	49	862H149	Screw	2
25	862H125	Spacer	6	50	862050	Reduction Spindle	1
26	862H126	Work Spindle	1	51	862H151	Center Gear	1