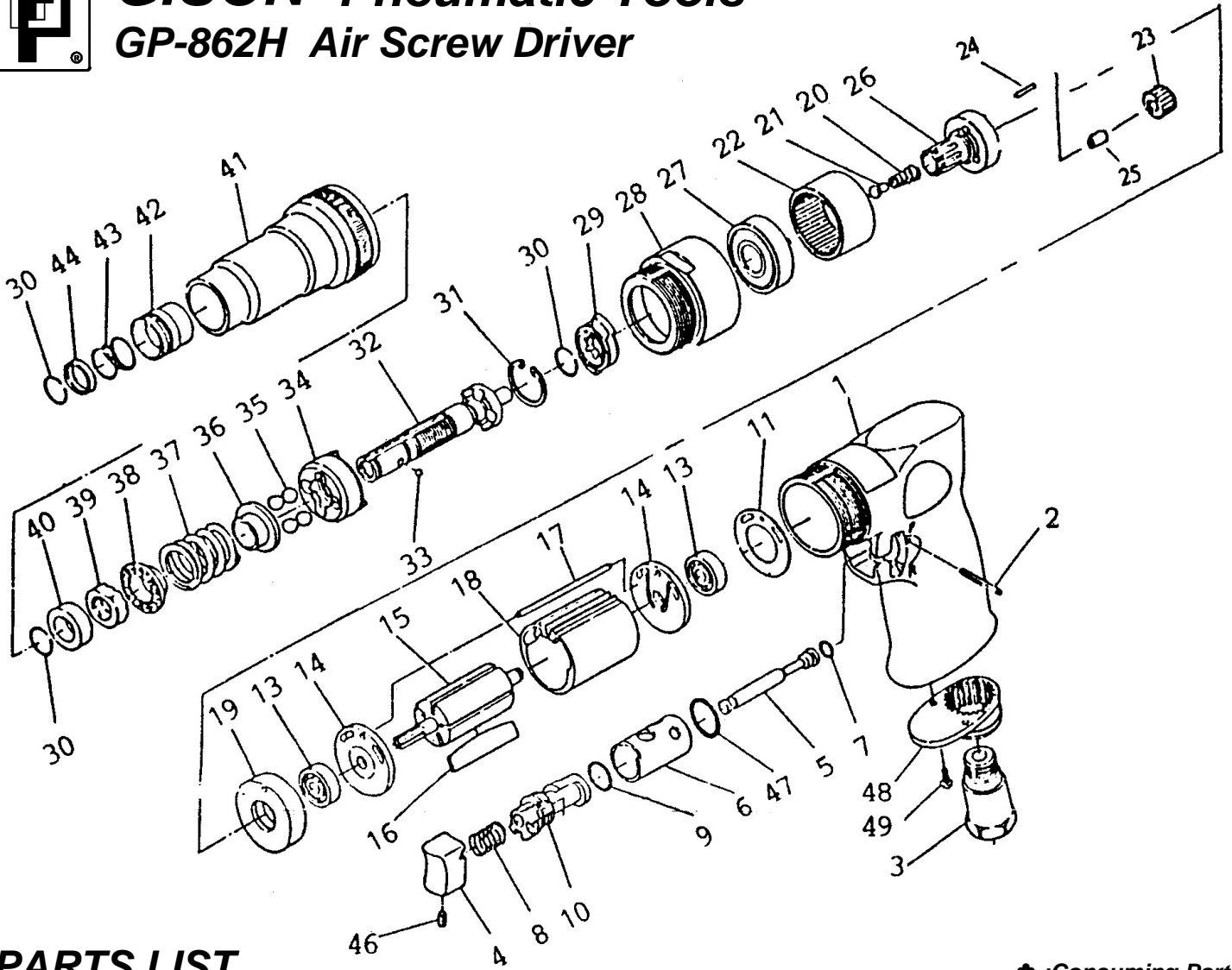




GISON Pneumatic Tools

GP-862H Air Screw Driver



PARTS LIST

✳ : Consuming Part

Item No.	Part No.	Description	Qty.	Item No.	Part No.	Description	Qty.
1	862H01	Housing	1	26	862H26	Work Spindle	1
2	862H02	Pin	1	27	862H27	Ball Bearing	1
3	862H03	Air Inlet	1	28	862H28	Clamp Nut	1
4	862H04	Trigger	1	29	862H29	Drive Dog	1
5	862H05	Valve Stem	1	30	862H30	Retaining Ring	3
6	862H06	Reverse Bushing	1	31	862H31	Retaining Ring	1
✳ 7	862H07	O-Ring	1	32	862H32	Cam Spindle	1
8	862H08	Valve Spring	1	33	862H33	Steel Ball	1
✳ 9	862H09	O-Ring	1	34	862H34	Clutch Carrier	1
10	862H10	Reverse Lever	1	35	862H35	Steel Ball	4
11	862H11	Motor Gasket	1	36	862H36	Washer	1
13	862H13	Ball Bearing	2	37	862H37	Spring	1
14	862H14	End Plate	2	38	862H38	Washer	1
15	862H15	Rotor	1	39	862H39	Adjust Nut	1
✳ 16	862H16	Rotor Blade	5	40	862H40	Spacer	1
17	862H17	Pin	1	41	862H41	Clutch Housing	1
18	862H18	Cylinder	1	42	862H42	Ball Retainer	1
19	862H19	Spacer	1	43	862H43	Spring	1
20	862H20	Spring	1	44	862H44	Washer	1
21	862H21	Spring Guide	1	✳ 46	862H46	Set Screw	1
22	862H22	Internal Gear	1	✳ 47	862H47	O-Ring	1
23	862H23	Planet Gear	3	48	862H48	Exhaust Diffuser	1
24	862H24	Pin	3	49	862H49	Screw	2
25	862H25	Bushing	3				