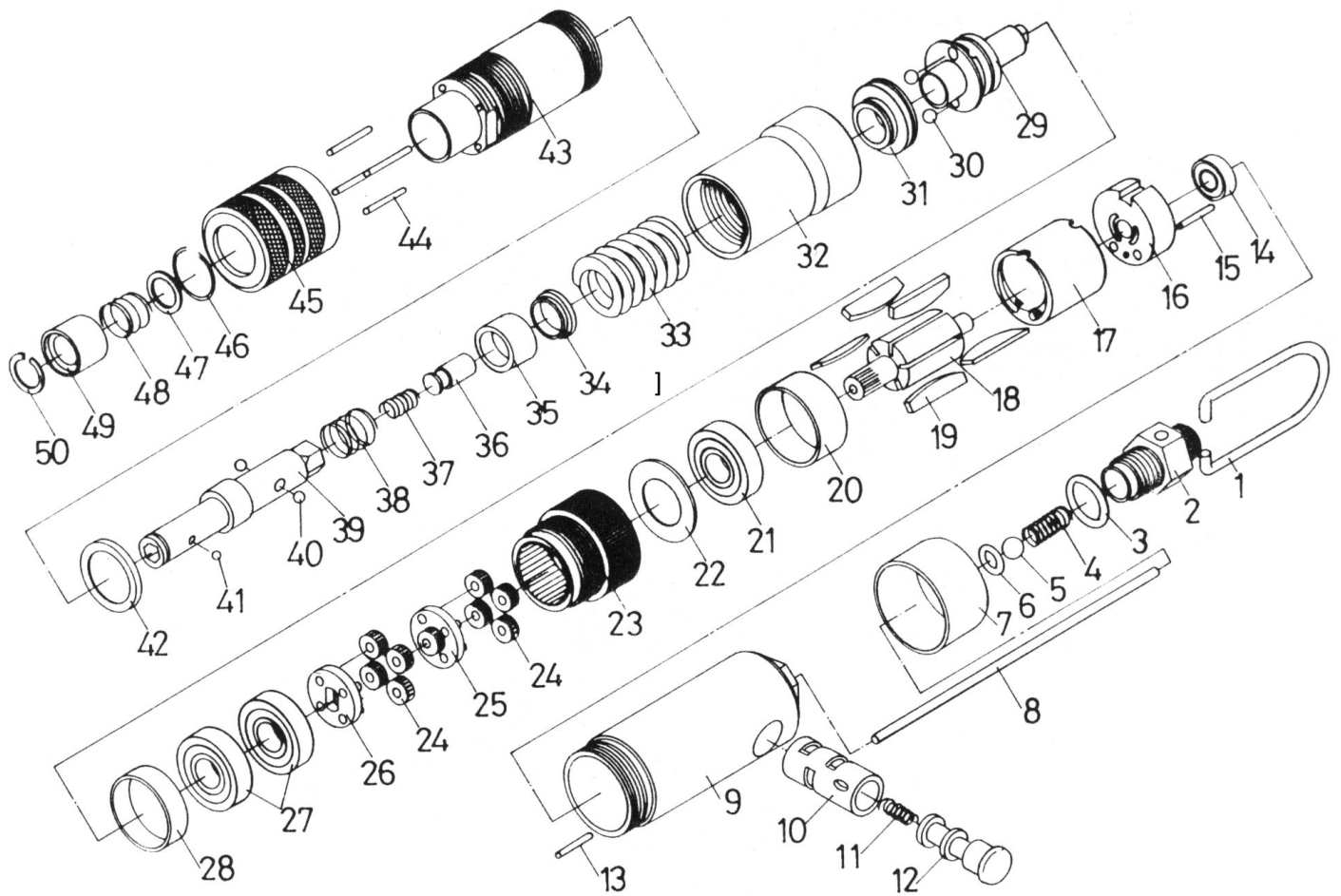




GISON Pneumatic Tools

GP-861C Air Screw Driver



PARTS LIST

✳ :Consuming Part

Item No.	Part No.	Description	Qty.	Item No.	Part No.	Description	Qty.
1	861C01	Hanger	1	26	861C26	Front GearFrame	1
2	861C02	Inlet Bush	1	27	861C27	Ball Bearing	1
3	861C03	Inlet Washer	1	28	861C28	Bearing Spacer	1
✳ 4	861C04	Throttle Spring	1	29	861C29	Clutch	1
✳ 5	861C05	Valve Ball	1	30	861C30	Cam Clutch Ball	2
✳ 6	861C06	O-Ring	1	31	861C31	Ball Seat	1
7	861C07	Blow Cover	1	32	861C32	Gear Case	1
8	861C08	Throttle Push Bar	1	33	861C33	Spring	1
9	861C09	Frame	1	34	861C34	Spring Receiver	1
10	861C10	Change Valve Bush	1	35	861C35	Cam Rider	1
11	861C11	Change Valve Spring	1	36	861C36	Pilot Shaft	1
12	861C12	Change Valve	1	✳ 37	861C37	Spring	1
13	861C13	Pin	1	✳ 38	861C38	Spring	1
14	861C14	Ball Bearing	1	39	861C39	Front Spindle	1
15	861C15	Pin	1	✳ 40	861C40	Cam Rider Ball	2
16	861C16	Rear End Plate	1	✳ 41	861C41	Cam Rider Ball	1
17	861C17	Cylinder	1	42	861C42	Spring Receiver	1
18	861C18	Rotor	1	43	861C43	Clutch Cover	1
✳ 19	861C19	Rotor Blade	5	44	861C44	Pin	2
20	861C20	Front End Plate	1	45	861C45	Adjust Dial	1
21	861C21	Ball Bearing	1	46	861C46	Retaining Ring	1
22	861C22	Washer	1	47	861C47	Washer	1
23	861C23	Internal Gear	1	48	861C48	Spring	1
✳ 24	861C24	Free Gear	8	49	861C49	Bit Stopper Washer	1
25	861C25	Rear Gear Frame	1	50	861C50	Retaining Ring	1