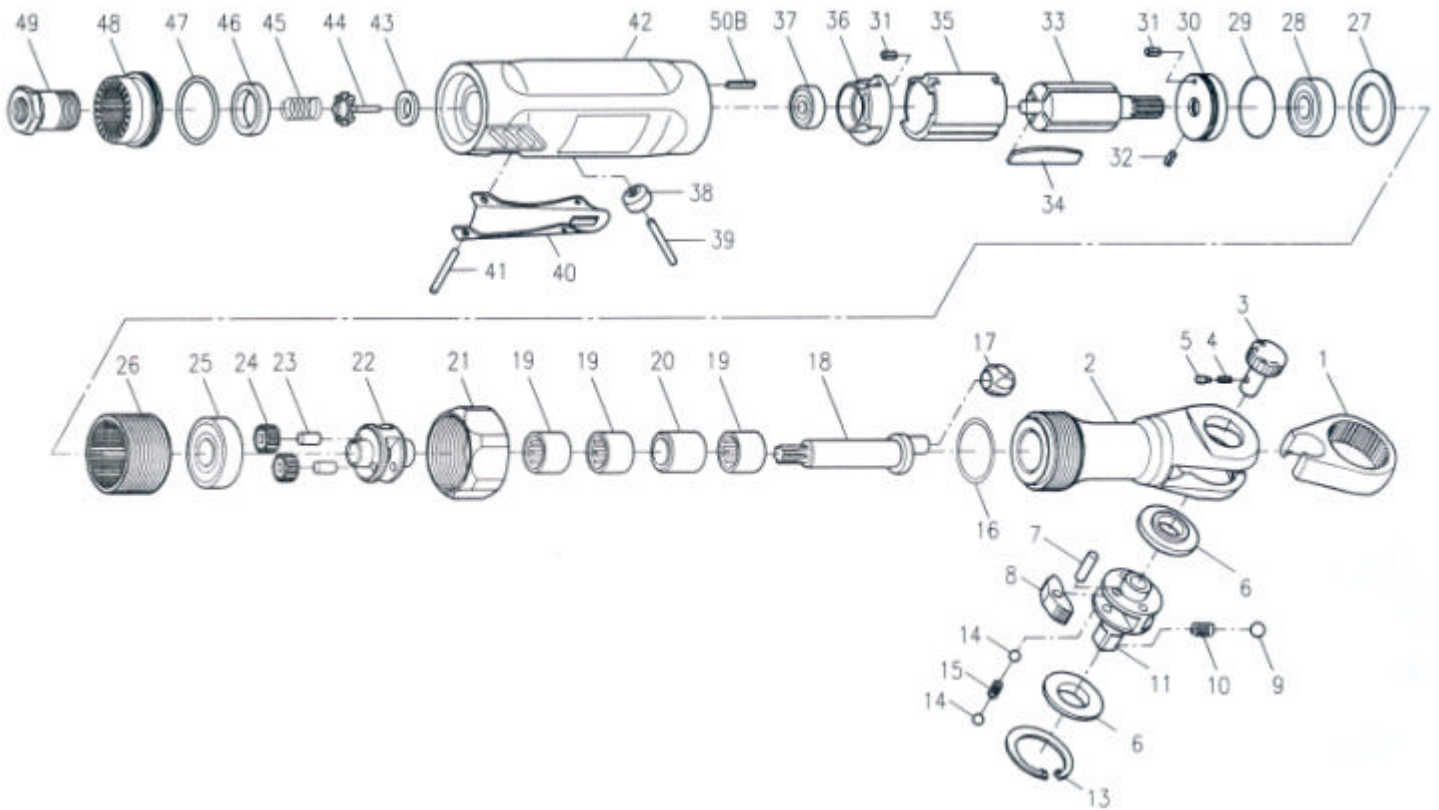




# GISON Pneumatic Tools

## GP-855R1 3/8" Ratchet Wrench



### PARTS LIST

✳ :Consuming Part

No.	Part No.	Description	Qty.	No.	Part No.	Description	Qty.
01	855R101	Ratchet Yoke	1	28	855R128	Ball Bearing	1
02	855R102	Ratchet Housing	1	29	855R129	O-Ring	1
03	855R103	Reverse Knob	1	30	855R130	Front End Plate	1
04	855R104	Spring	1	31	855R131	Spring Pin	2
05	855R105	Lock Pin	1	32	855R132	Spring Pin	1
06	855R106	Thrust Washer (3/8")	2	33	855R133	Rotor	1
07	855R107	Pin	1	34	855R134	Rotor Blade	4
08	855R108	Ratchet Pawl	1	35	855R135	Cylinder	1
09	855R109	Steel Ball (3/8")	1	36	855R136	Rear End Plate	1
10	855R110	Spring (3/8")	1	37	855R137	Ball Bearing	1
11	855R111	Ratchet Anvil (3/8")	1	38	855R138	Bushing	1
13	855R113	Snap Ring	1	39	855R139	Valve Stem	1
14	855R114	Steel Ball	4	40	855R140	Throttle Lever	1
15	855R115	Spring	2	41	855R141	Spring Pin	1
16	855R116	Gasket	1	42	855R142	Motor Housing	1
17	855R117	Drive Bushing	1	43	855R143	Bushing	1
18	855R118	Crank Shaft	1	44	855R144	Valve Stem	1
19	855R119	Needle Bearing	3	45	855R145	Spring	1
20	855R120	Bushing	1	46	855R146	Muffler	1
21	855R121	Clamp Nut	1		855R149A	Air Inlet (1/4"PF)	
22	855R122	Idle Gear Cage	1	49	855R149B	Air Inlet (1/4"PT)	1
25	855R125	Ball Bearing	1		855R149C	Air Inlet (1/4"NPT)	
26	855R126	Idle Gear Housing	1	50B	855R150	Seal Lump	1
27	855R127	Washer	1				