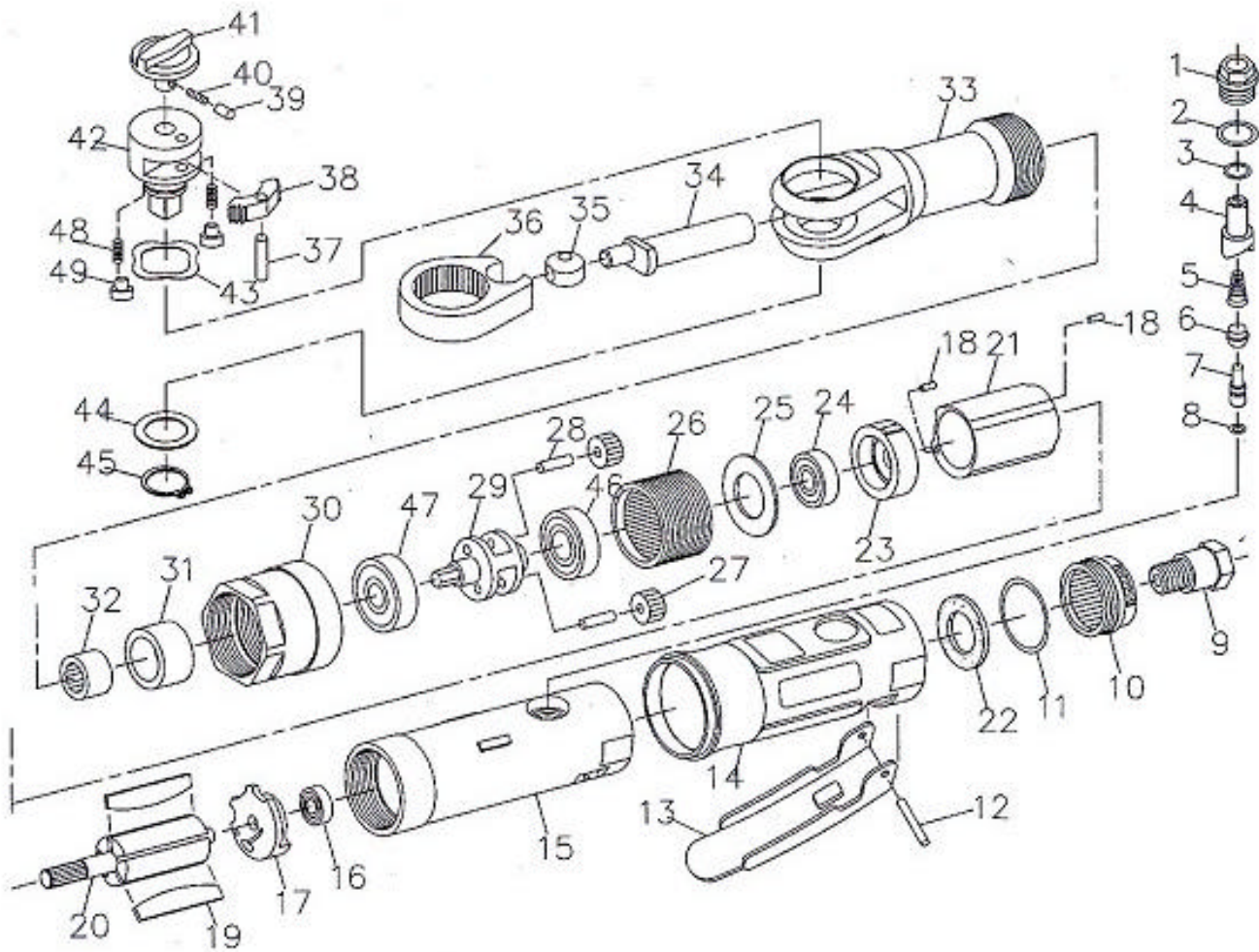




GISON Pneumatic Tools

GP-855D/856D 3/8" / 1/2" Air Ratchet Wrench



PARTS LIST

✳ : Consuming Part

Item No.	Part No.	Description	Qty.	Item No.	Part No.	Description	Qty.
01	855D01	Screw	1	26	855D26	Thrad Ring Gear (41T)	1
02	855D02	O-Ring (P12)	1	27	855D27	Gear (16T)	2
03	855D03	O-Ring (P8)	2	28	855D28	Idler Gear Pin	2
04	855D04	Air Regulator	1	29	855D29	Idler Gear Plate	1
05	855D05	Spring	1	30	855D30	Clamp Nut	1
06	855D06	Valve Stem Bushing	1	31	855D31	Bushing	1
07	855D07	Valve Stem	1	32	855D32	Needle Bearing	1
08	855D08	O-Ring (3.5 * 1.4)	1	33	855D33	Ratchet Housing	1
09	855D09	Air Inlet	1	34	855D34	Crank Shaft	1
10	855D10	Exhaust Sleeve	1	35	855D35	Drive Bushing	1
11	855D11	O-Ring (26.7 * 1.78)	1	36	855D36	Ratchet Yoke	1
12	855D12	Spring Pin	1	37	855D37	Pin	1
13	855D13	Lever	1	38	855D38	Ratchet PAWL	1
14	855D14	Protecting Rubber	1	39	855D39	Lock Pin	1
15	855D15	Housing	1	40	855D40	Spring	1
16	855D16	Bearing	1	41	855D41	Reverse Button	1
17	855D17	Rear Plate	1	42	855D42	Ratchet Anvil (3/8")	1
18	855D18	Pin	2		856D42	Ratchet Anvil (1/2")	
19	855D19	Rotor Blade	5	43	855D43	Wave Washer	1
20	855D20	Rotor	1	44	855D44	Washer	1
21	855D21	Cylinder	1	45	855D45	Retainer Ring	1
22	855D22	Cone Muffler	1	46	855D46	Bearing (6001ZZ)	1
23	855D23	Front Plate	1	47	855D47	Bearing (6000ZZ)	1
24	855D24	Bearing (608ZZ)	1	48	855D48	Spring	2
25	855D25	Washer	1	49	855D49	Pin	2