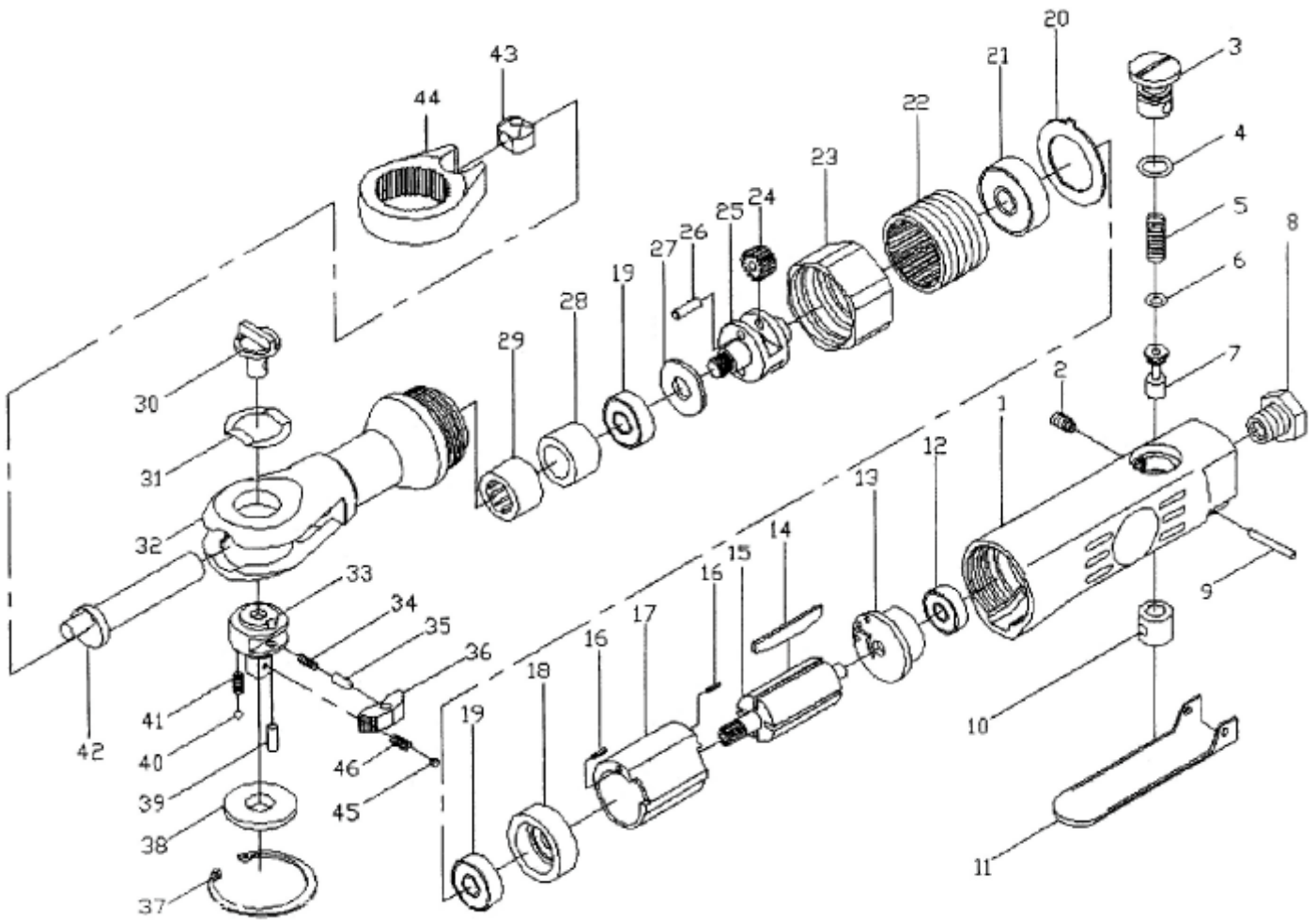


吉生 GISON

GP-855C/856C 3/8" / 1/2" Air Ratchet Wrench



PARTS LIST

✧ :Consuming Part

| No. | Part No. | Description | Qty. | No. | Part No. | Description | Qty. |
|-----|----------|------------------|------|-----|----------|--------------------|------|
| 1 | 855C01 | Housing | 1 | 26 | 855C26 | Gear Pin | 2 |
| 2 | 855C02 | Screw | 1 | 27 | 855C27 | Washer | 1 |
| 3 | 855C03 | Air Regulator | 1 | 28 | 855C28 | Bushing | 1 |
| 4 | 855C04 | O-Ring | 1 | 29 | 855C29 | Needle Bearing | 1 |
| 5 | 855C05 | Spring | 1 | 30 | 855C30 | Reverse Button | 1 |
| 6 | 855C06 | O-Ring | 1 | 31 | 855C31 | Washer | 1 |
| 7 | 855C07 | Valve Stem | 1 | 32 | 855C32 | Ratchet Housing | 1 |
| 8 | 855C08 | Air Inlet | 1 | 33 | 855C33 | 3/8" Ratchet Anvil | 1 |
| 9 | 855C09 | Lever Pin | 1 | | 856C33 | 1/2" Ratchet Anvil | |
| 10 | 855C10 | Valve Bushing | 1 | 34 | 856C34 | Spring | 1 |
| 11 | 855C11 | Throttle Lever | 1 | 35 | 855C35 | Locking Pin | 1 |
| 12 | 855C12 | Bearing | 1 | 36 | 855C36 | Ratchet Pawl | 1 |
| 13 | 855C13 | Rear end Plate | 1 | 37 | 855C37 | Retainer Ring | 1 |
| 14 | 855C14 | Rotor Blade | 1 | 38 | 855C38 | Trust Washer | 1 |
| 15 | 855C15 | Rotor | 1 | 39 | 855C39 | Pin | 1 |
| 16 | 855C16 | Dowel Pin | 1 | 40 | 855C40 | Steel Ball | 2 |
| 17 | 855C17 | Cylinder | 1 | 41 | 855C41 | Spring | 2 |
| 18 | 855C18 | Front End Plate | 1 | 42 | 855C42 | Crank Shaft | 1 |
| 19 | 855C19 | Bearing | 1 | 43 | 855C43 | Drive Bushing | 1 |
| 20 | 855C20 | Washer | 1 | 44 | 855C44 | Ratchet Yoke | 1 |
| 21 | 855C21 | Bearing | 1 | 45 | 855C45 | Steel Ball S3/16" | 1 |
| 22 | 855C22 | Thread Ring Gear | 1 | | 856C45 | Steel Ball S6mm | |
| 23 | 855C23 | Locking Nut | | 46 | 855C46 | Spring | 1 |
| 24 | 855C24 | Plate Gear | 2 | | 856C46 | | |
| 25 | 855C25 | Gear Cage | | | | | |