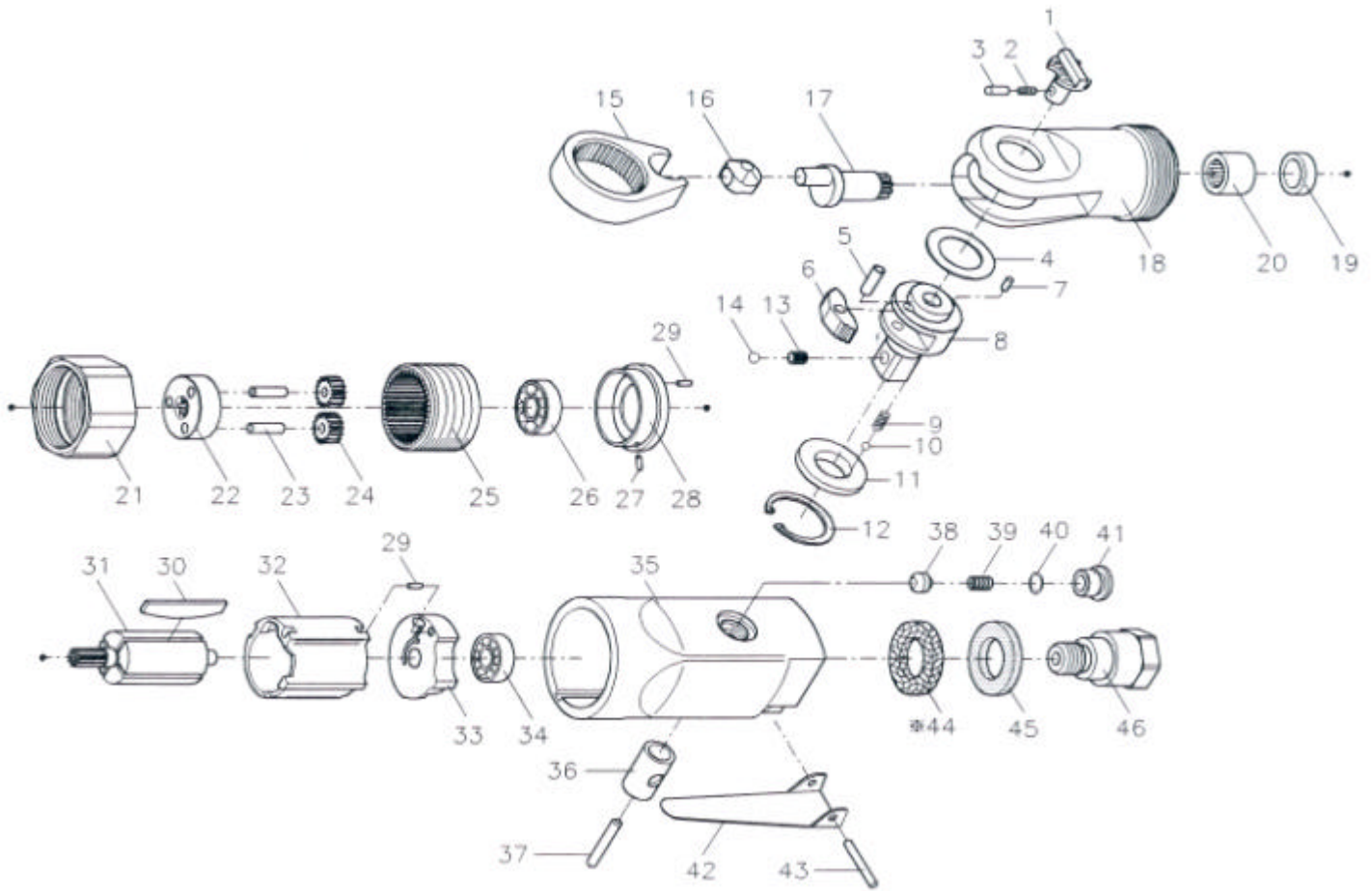


GISON Pneumatic Tools

GP-854D 6MM Professional Die Grinder



PARTS LIST

✦ : Consuming Part

No.	Part No.	Description	Qty.	No.	Part No.	Description	Qty.
1	854D001	Reverse Knob	1	23	854D023	Pin	3
2	854D002	Spring	1	24	854D024	Idler Gear	3
3	854D003	Lock Pin	1	25	854D025	Idler Gear Housing	1
4	854D004	Washer	1	26	854D026	Ball Bearing	1
5	854D005	Pin	1	27	854D027	Spring Pin	1
6	854D006	Ratchet Pawl	1	28	854D028	Front End Plate	1
7	854D007	Spring Pin	1	29	854D029	Spring Pin	2
8	854D008A	Ratchet Anvil 1/4"	1	30	854D030	Rotor Blade	4
	854D008B	Ratchet Anvil 3/8"		31	854D031	Rotor	1
9	854D009	Spring	2	32	854D032	Cylinder	1
10	854D010	Steel Ball	2	33	854D033	Rear End Plate	1
11	854D011A	Thrust Washer	1	34	854D034	Ball Bearing	1
	854D011B	Thrust Washer		35	854D035	Motor Housing	1
12	854D012	Snap Ring	1	36	854D036	Bushing	1
13	854D013A	Spring (1/4" Ratchet Anvil)	1	37	854D037	Valve Stem	1
	854D013B	Spring (3/8" Ratchet Anvil)		38	854D038	Valve Throttle	1
14	854D014A	Steel Ball (1/4" Ratchet Anvil)	1	39	854D039	Spring	1
	854D014B	Steel Ball (3/8" Ratchet Anvil)		40	854D040	O-Ring	1
15	854D015	Ratchet Yoke	1	41	854D041	Valve Plug	1
16	854D016	Drive Bushing	1	42	854D042	Throttle Lever	1
17	854D017	Crank Shaft	1	43	854D043	Spring Pin	1
18	854D018	Ratchet Housing	1	44	854D044	Wooly Muffler	1
19	854D019	Bushing	1	45	854D045	Copper Muffler	1
20	854D020	Needle Bearing	1	46	854D046A	Air Inlet (1/4"PF)	1
21	854D021	Clamp Nut	1		854D046B	Air Inlet (1/4"PT)	
22	854D022	Idler Gear Plate	1		854D046C	Air Inlet (1/4"NPT)	