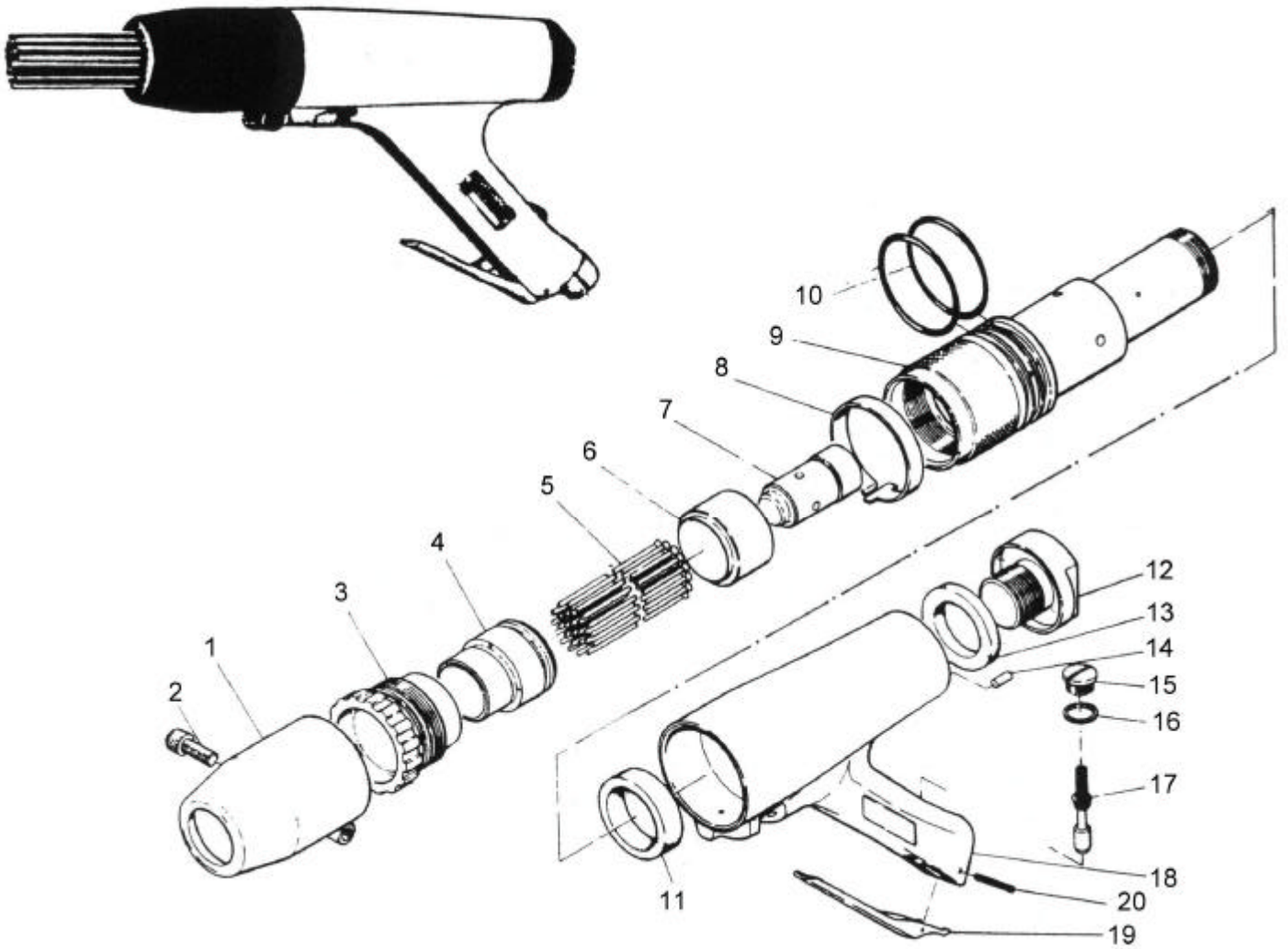




GISON Pneumatic Tools

GP-851P Air Needle Scalers



PARTS LIST

★ :Consuming Part

| Item No. | Part No. | Description | Qty. | Item No. | Part No. | Description | Qty. |
|----------|----------|----------------------------------|------|----------|----------|-------------------------|------|
| 1 | 851P01 | Round Needle Guide Ass' y | 1 | 13 | 851P13 | Rear Washer | 1 |
| 2 | 851P02 | Hexagon Socket Head Bolt 8x25 | 1 | 14 | 851P14 | Cylinder Lock Pin | 1 |
| 3 | 851P03 | Stop Ring | 1 | 15 | 851P15 | Valve Cap | 1 |
| 4 | 851P04 | Needle Supporter Ø3 | 1 | 16 | 851P16 | Valve Packing | 1 |
| 5 | 851P05 | Needle Ø3x180 mm | 28 | 17 | 851P17 | Throttle Valve Ass' y | 1 |
| 6 | 851P06 | Throttle Anvil | 1 | 18 | 851P18 | Housing Sub Ass' y | 1 |
| 7 | 851P07 | Piston | 1 | 19 | 851P19 | Throttle Lever | 1 |
| 8 | 851P08 | Safety Band | 1 | 20 | 851P20 | Spring Pin 3x28 | 1 |
| 9 | 851P09 | Cylinder | 1 | | 851P21 | Hex. Wrench Key | 1 |
| 10 | 851P10 | O-Ring W4 | 2 | | 851P22 | Needle Ø4x180 mm | 14 |
| 11 | 851P11 | Front Washer | 1 | | 851P23 | Reducer M16xNPT3/8 | 1 |
| 12 | 851P12 | Bear Bolt Ass' y | 1 | | 851P24 | Needle Supporter Ø4 | 1 |
| | | | | | 851P25 | Hose Nipple NPT 3/8x3/8 | 1 |