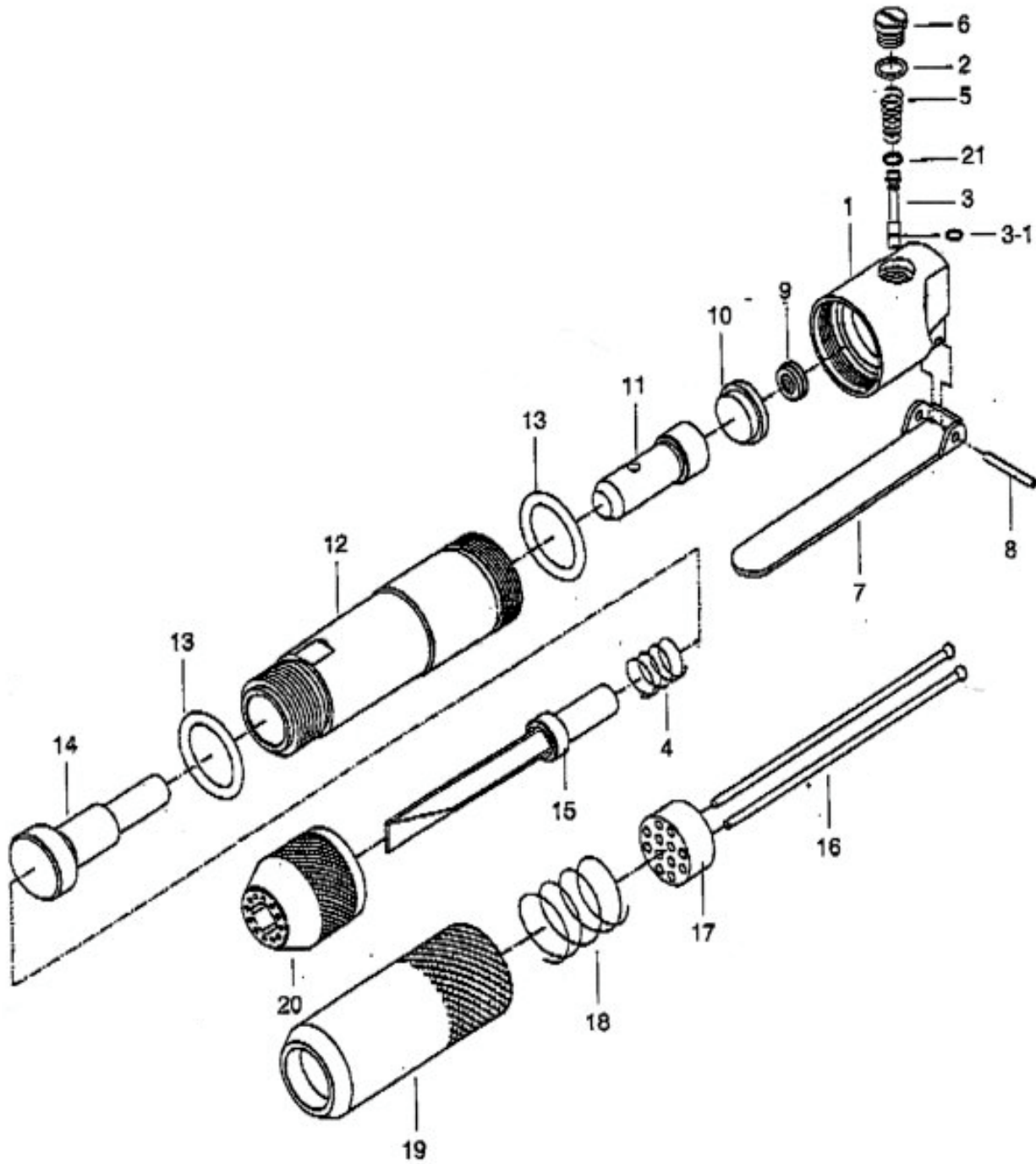




# GISON Pneumatic Tools

## GP-851I Air Needle Scalers



### PARTS LIST

✳ : Consuming Part

Item No.	Part No.	Description	Qty.	Item No.	Part No.	Description	Qty.
1	851I01	Backhead	1	11	851I11	Piston	1
2	851I02	O-Ring P5	1	12	851I12	Barrel Sleeve	1
3	851I03	Throttle Valve	1	13	851I13	O-Ring P24	1
3-1	851I03-1	O-Ring P2 x 1.5	1	14	851I14	Needle Driver	1
4	851I04	Spring	1	15	851I15	Chisel	1
5	851I05	Spring	1	16	851I16	Needle	12
6	851I06	Valve Cap	1	17	851I17	Needle Holder	1
7	851I07	Lever	1	18	851I18	Spring	1
8	851I08	Pin	1	19	851I19	Needle Tube	1
9	851I09	Rubber Cushion	1	20	851I20	Nut	1
10	851I10	Fear Valve Bladk	1	21	851I21	O-Ring P3	1