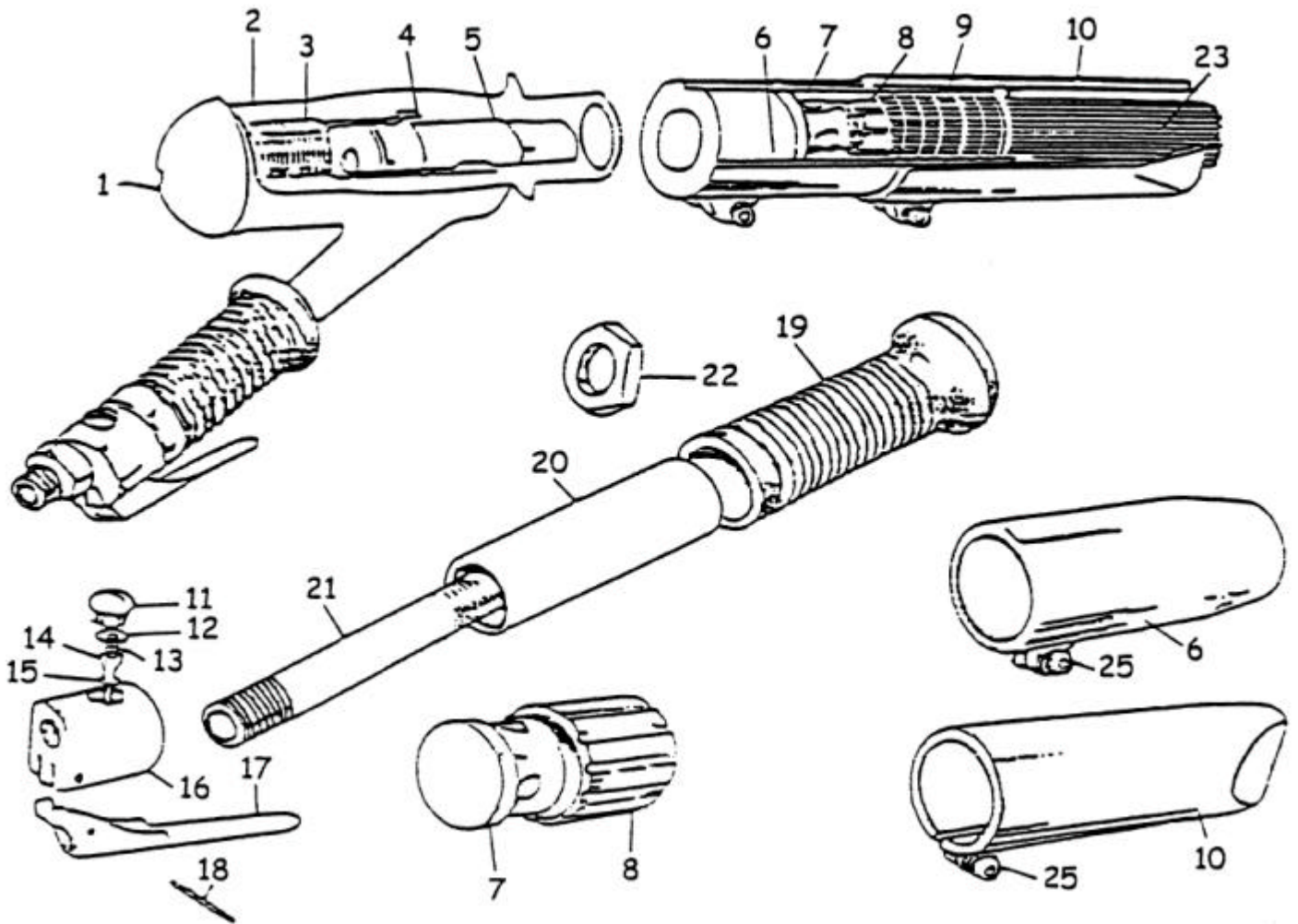




GISON Pneumatic Tools

GP-851D Air Needle Scaler



PARTS LIST

✧ :Consuming Part

Item No.	Part No.	Description	Qty.	Item No.	Part No.	Description	Qty.
1	851D01	Body Cap	1	14	851D14	Valve Stem	1
2	851D02	Body	1	15	851D15	O-Ring	1
✧ 3	851D03	O-Ring	1	16	851D16	Valve Body	1
4	851D04	Cylinder	1	17	851D17	Trigger	1
✧ 5	851D05	Piston	1	18	851D18	Pin	1
6	851D06	Needle Cover	1	19	851D19	Rubber Handle Grip	1
7	851D07	Driver	1	20	851D20	Handle Tube	1
8	851D08	Needle Holder 4 mm	1	21	851D21	Centre Tube	1
9	851D09	Spring	1	22	851D22	Nut	1
10	851D10	Needle Cover	1	23	851D23	Needles 4 mm	19
11	851D11	Valve Screw	1	24	851D24	Needles 3 mm	28
12	851D12	O-Ring	1	25	851D25	Cap Head Screw	2
13	851D13	Spring	1	26	851D26	Needle Holder 3 mm	1