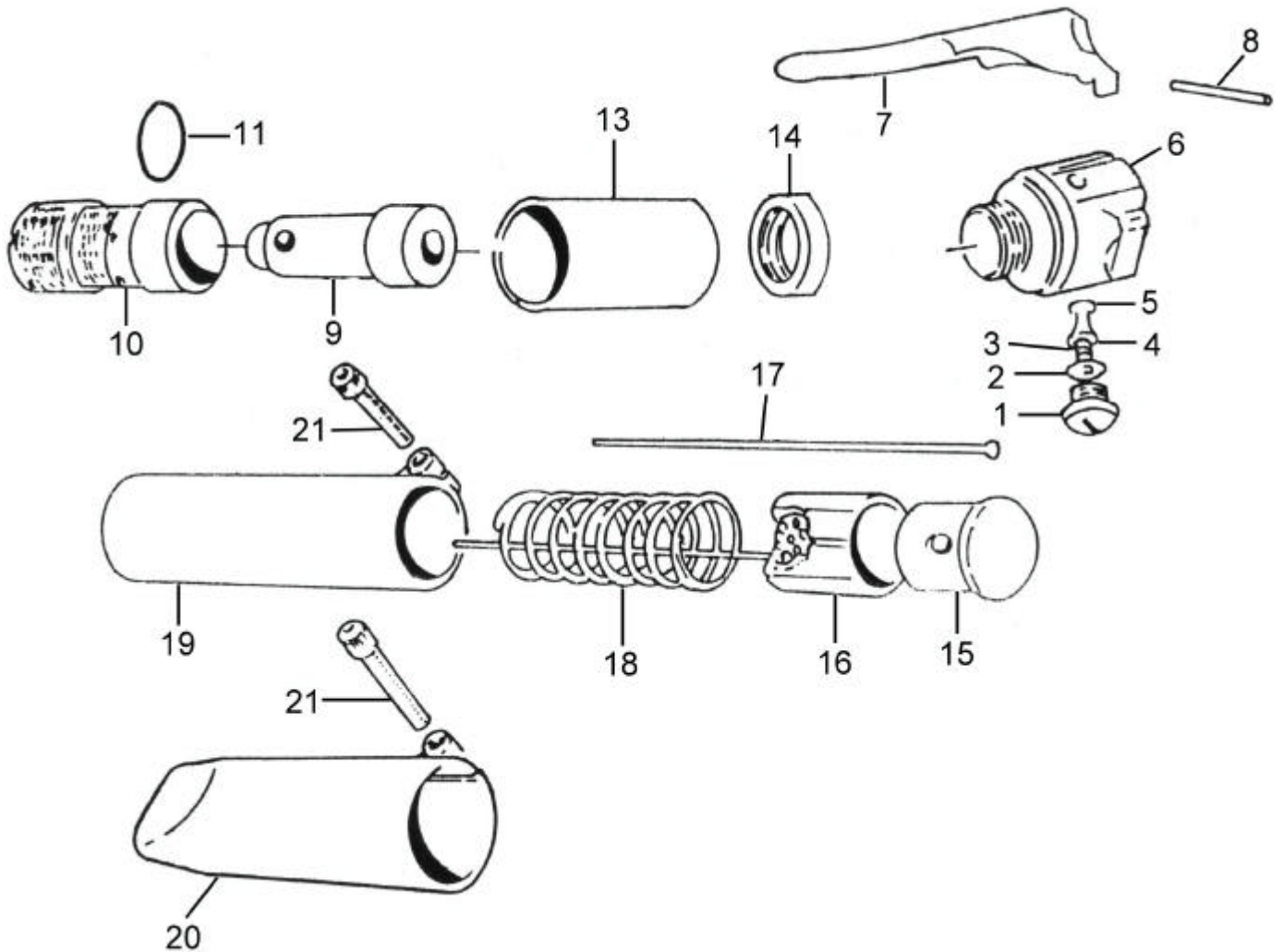




# GISON Pneumatic Tools

## GP-851A Air Needle Scaler



### PARTS LIST

✳ :Consuming Part

Item No.	Part No.	Description	Qty.	Item No.	Part No.	Description	Qty.
1	851A01	Valve Cap	1	✳ 11	851A11	O-Ring	1
2	851A02	O-Ring - Valve Cap	1	13	851A13	Piston Sleeve	1
3	851A03	Valve Spring	1	14	851A14	Cylinder Body	1
4	851A04	Valve Stem	1	15	851A15	Anvil	1
5	851A05	O-Ring - Valve Seat	1	16	851A16	Needle Holder	1
6	851A06	Valve Body	1	17	851A17	Needle Set	19
7	851A07	Throttle Lever	1	18	851A18	Spring - Compression	1
8	851A08	Roll Pin	1	19	851A19	Intermediate Tube	1
✳ 9	851A09	Piston	1	20	851A20	Front Tube	1
10	851A10	Cylinder	1	21	851A21	Cap Head Screw	2