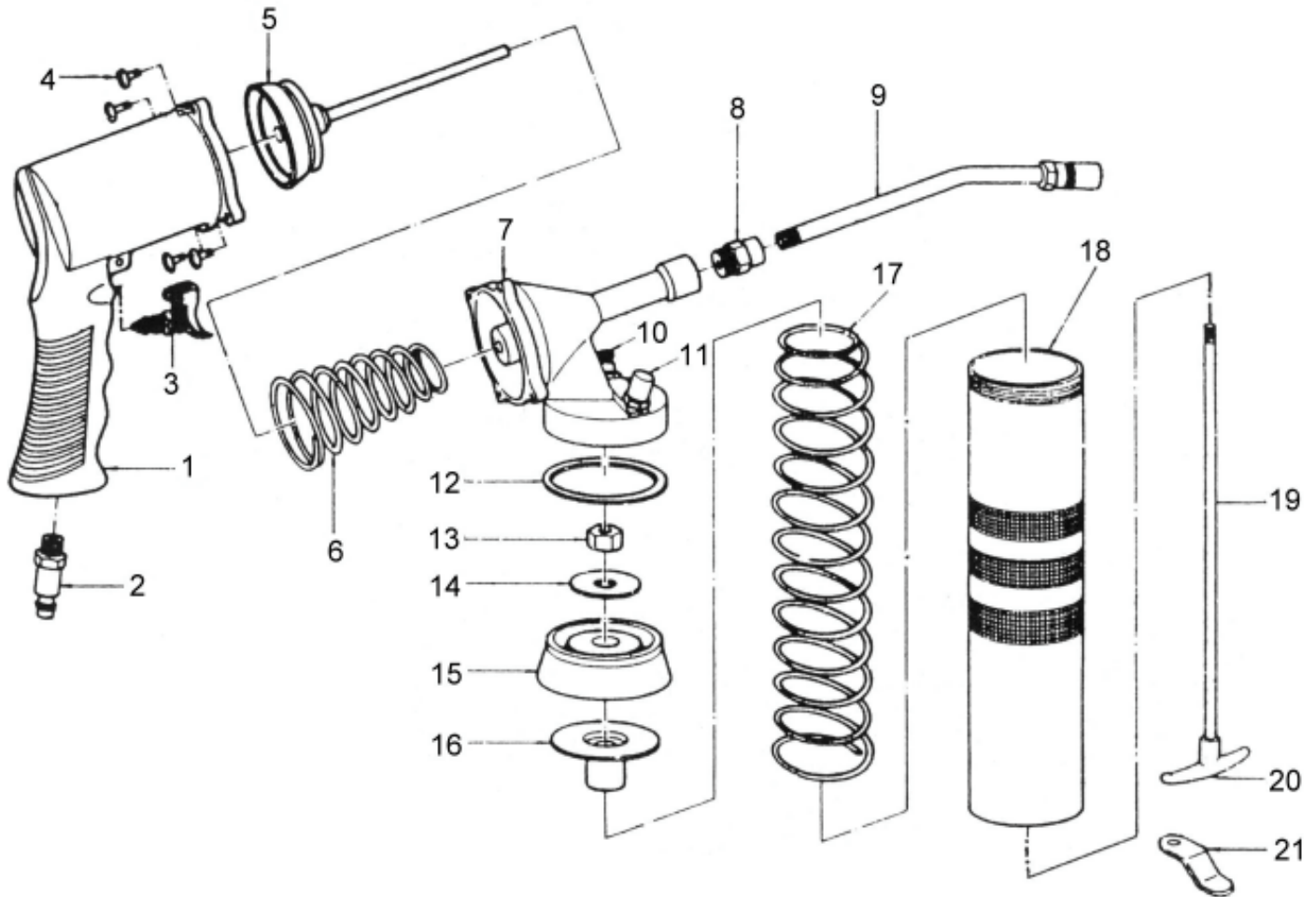


# GISON Pneumatic Tools

## GP-850N Air Grease Gun

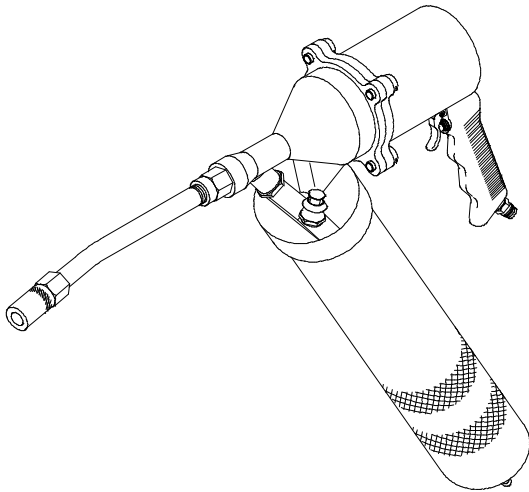


### PARTS LIST

✦ :Consuming Part

Item No.	Part No.	Description	Qty.	Item No.	Part No.	Description	Qty.
1	850N01	Finger Grip	1	12	850N12	Gasket	1
2	850N02	Air Fitting	1	13	850N13	Plunger Nut	1
3	850N03	Trigger	1	14	850N14	Plunger Washer	1
4	850N04	Body Screw	4	15	850N15	Plunger	1
5	850N05	Air Plunger	1	16	850N16	Backlash Gasket	1
6	850N06	Short Spring Kit	1	17	850N17	Long Spring Kit	1
7	850N07	Housing Cap	1	18	850N18	Container Tube	1
8	850N08	Adapter	1	19	850N19	Piston Rod	1
9	850N09	Hexagonal Spout	1	20	850N20	Plunger	1
10	850N10	Air Vent Valve	1	21	850N21	Catch Plate	1
11	850N11	Filler Plug	1				

# Air Grease Gun



## Specifications:

Load:	Standard 14 OZ or 400 cc. Grease Cartridge, Pressure Filler, or Bulk.
Air Pressure .....	30 ~ 150 psi.
Avg. Air Consumption .....	6 CFM
Air Inlet (NPT) .....	1/4"
Hose Size (ID) .....	3/8"

## Features & Functions:

1. Fine-treated surface includes chrome-plated surface and enamel-baked surface.
2. As the acute-angle design reduces the load distance and concentrates the center of gravity between.
3. Finger grip and Container tube, it is portable in operation and arm not subject to be tired.
4. Owing to the acute-angle design, it can allow wide-angle operation in narrow space.
5. Air vent valve allows the trapped air in the tube to escape after filling grease.
6. Filler plug is used for lubricants filling from filler pump.

## Operating Instructions:

Add Oil daily through air inlet before use. Filler plug is used for lubricants filling from filler pump. There are three ways of grease loading, cartridge loading, suction filling and Loading with filler pump. Trigger should be pressed throughly during operation.

If your gun fails to work, it is due to air pockets in the gun. To remove the air, unscrew the gun head 1 to 1-1/2 turns and act as follows:

**Step 1:** Draw back plunger rod fully and release quickly, repeat serval times. Push plunger rod all the way in. Tighten the head to the barrel.

**Step 2:** Press air vent valve serval times to release the air.

Now your gun is ready to use.



Fig. 1. Catridge loading



Fig. 2. Suction filling

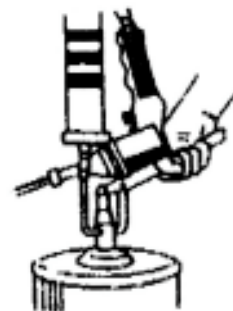


Fig. 3. Loading with filler pump