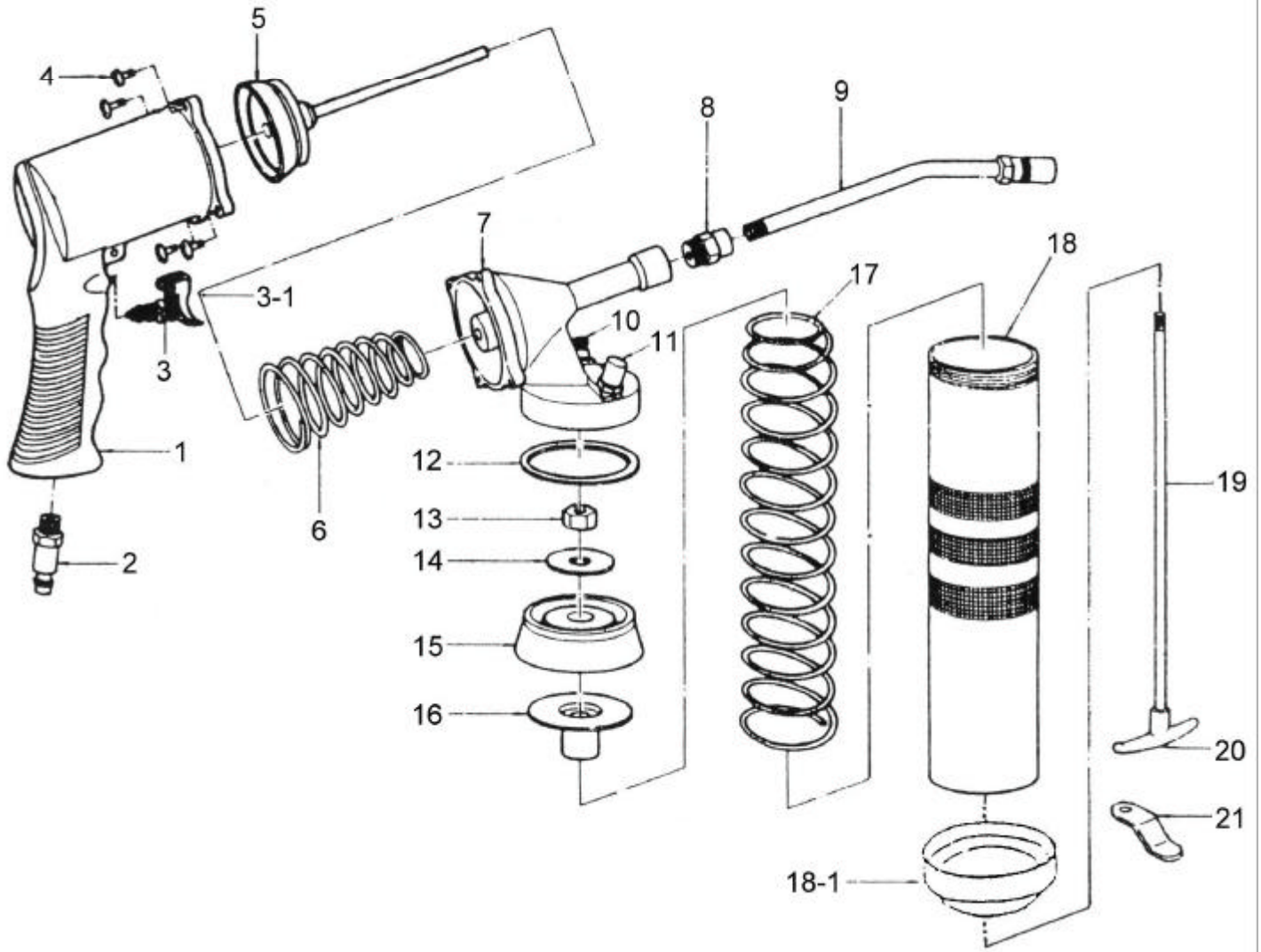




# 吉生 GISON

## GP-850 Air Grease Gun



### PARTS LIST

✳ : Consuming Part

Item No.	Part No.	Description	Qty.	Item No.	Part No.	Description	Qty.
1	85001	Finger Grip	1	12	85012	Gasket	1
2	85002	Air Fitting	1	13	85013	Plunger Nut	1
3	85003	Switch	1	14	85014	Plunger Washer	1
3-1	85003-1	Trigger & Pin	1	15	85015	Plunger	1
4	85004	Body Screw	4	16	85016	Backlash Gasket	1
5	85005	Air Plunger	1	17	85017	Long Spring Kit	1
6	85006	Short Spring Kit	1	18	85018	Container Tube	1
7	85007	Housing Cap	1	18-1	85018-1	Bottom Cap	1
8	85008	Adapter	1	19	85019	Piston Rod	1
9	85009	Hexagonal Spout	1	20	85020	Plunger Handle	1
10	85010	Air Vent Valve	1	21	85021	Catch Plate	1
11	85011	Filler Plug	1				

### **Operating Instructions:**

Add Oil daily through air inlet before use. Filler plug is used for lubricants filling from filler pump. There are three ways of grease loading, cartridge loading, suction filling and Loading with filler pump. Trigger should be pressed throughly during operation.

If your gun fails to work, it is due to air pockets in the gun. To remove the air, unscrew the gun head 1 to 1-1/2 turns and act as follows:

**Step 1:** Draw back plunger rod fully and release quickly, repeat serval times. Push plunger rod all the way in. Tighten the head to the barrel.

**Step 2:** Press air vent valve serval times to release the air.

Now your gun is ready to use.



Fig. 1. Cartridge loading



Fig. 2. Suction filling

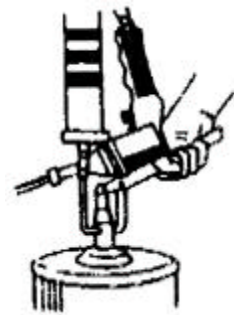


Fig. 3. Loading with filler pump