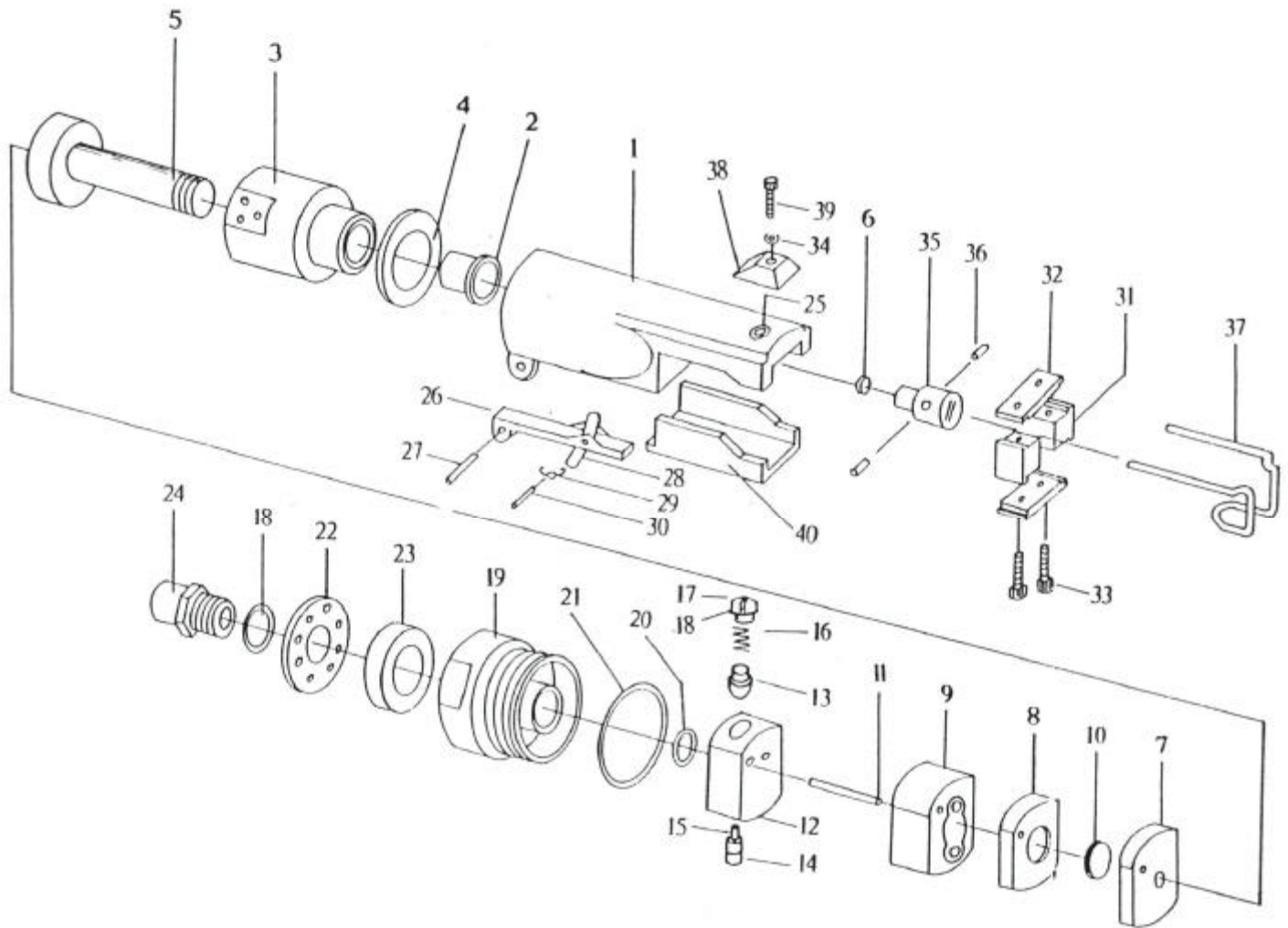


吉生 GISON

GP-848C Air Body Saw



PARTS LIST

✿ : Consuming Part

Item No.	Part No.	Description	Qty.	Item No.	Part No.	Description	Qty.
1	848C01	Housing	1	21	848C21	O-Ring	1
2	848C02	Bushing	2	22	848C22	Strainer	1
3	848C03	Cylinder	1	23	848C23	Strainer	1
4	848C04	Packing	1	24	848C24	Strainer	1
5	848C05	Piston Assembly	1	25	848C25	Thread Protecting Ring	1
6	848C06	Lock Washer	1	26	848C26	Throttle Lever	1
7	848C07	Valve (Front)	1	27	848C27	Pin	1
8	848C08	Valve (Middle)	1	28	848C28	Stop Rod	1
9	848C09	Valve (Back)	1	29	848C29	Spring	1
10	848C10	Valve Washer	1	30	848C30	Pin	1
11	848C11	Lock Pin	1	✿ 31	848C31	Blade Guide	2
12	848C12	Valve Block	1	32	848C32	Wear Shoe	2
13	848C13	Valve Cover	1	33	848C33	Screw	2
14	848C14	O-Ring	1	34	848C34	Washer	1
15	848C15	Push Rod	1	✿ 35	848C35	Blade Chuck	1
16	848C16	Valve Spring	1	36	848C36	Set Screw	2
17	848C17	Valve Plug	1	37	848C37	Work Guide	1
18	848C18	O-Ring	2	38	848C38	Guide Plate	1
19	848C19	Air Valve Body	1	39	848C39	Screw	1
20	848C20	O-Ring	1	40	848C40	Protect Cover	1