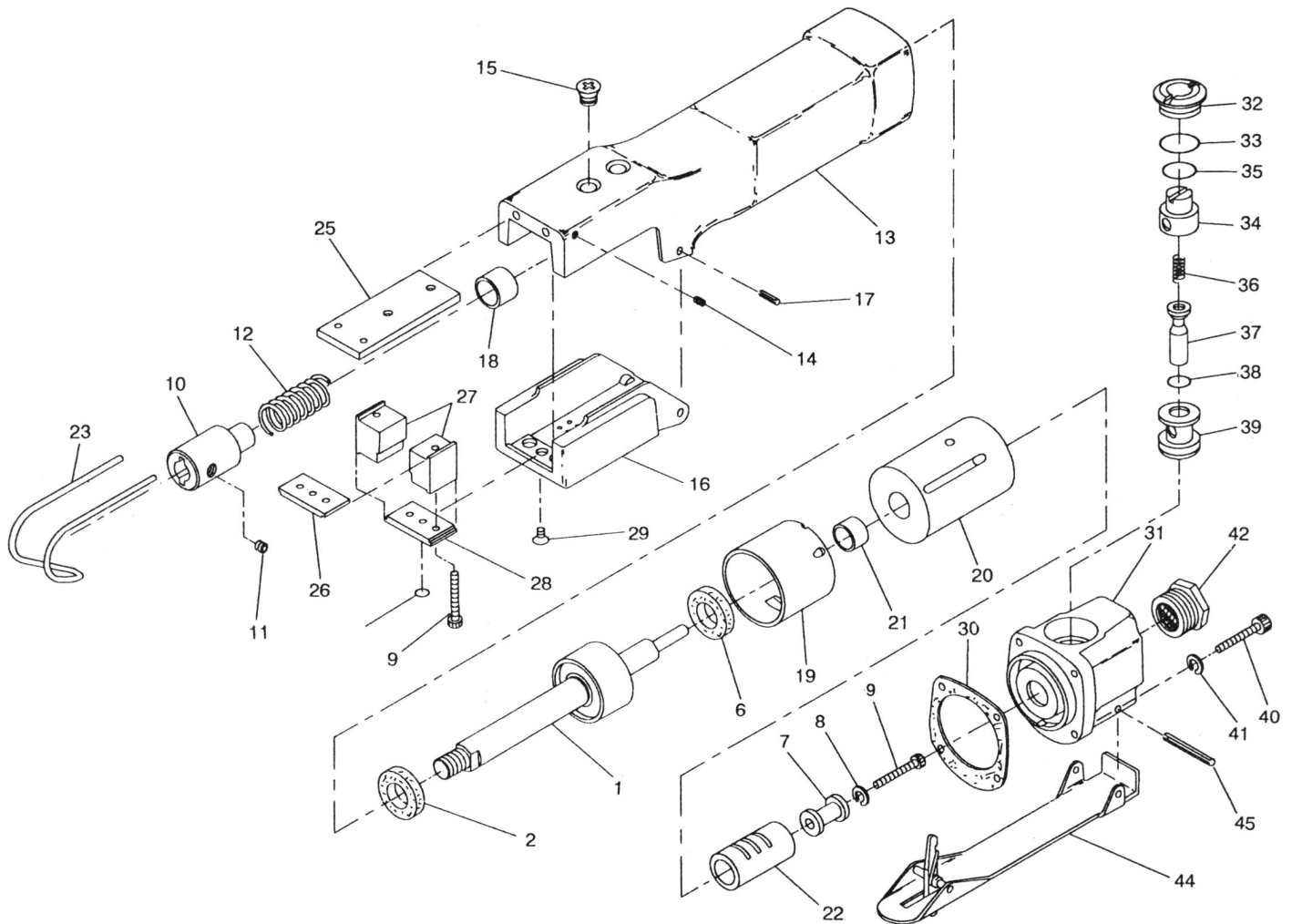




GISON Pneumatic Tools

GP-848B Air Body Saw



PARTS LIST

✳ : Consuming Part

Item No.	Part No.	Description	Qty.	Item No.	Part No.	Description	Qty.
1	848B01	Piston Assembly	1	25	848B25	Bottom Board	1
2	848B02	Damping Ring	1	26	848B26	Guide Plate	1
3	848B03	Gasket Plate	1	✳ 27	848B27	Guide Block	2
6	848B06	Rubber Washer	1	28	848B28	Guide Plate	1
7	848B07	Piston Valve	1	29	848B29	Screw	1
8	848B08	Washer	1	30	848B30	Gasket	1
9	848B09	Screw	3	31	848B31	Air Valve Body	1
✳ 10	848B10	Saw Holder	1	32	848B32	Valve Plug	1
11	848B11	Screw	2	33	848B33	O-Ring	1
12	848B12	Spring	1	34	848B34	Adjusting Valve	1
13	848B13	Handle	1	35	848B35	O-Ring	1
14	848B14	Screw	2	36	848B36	Spring	1
15	848B15	Screw	2	37	848B37	Valve Rod	1
16	848B16	Protect Cover	1	38	848B38	O-Ring	1
17	848B17	Spring Pin	2	39	848B39	Valve Rod Sleeve	1
18	848B18	Bushing	1	40	848B40	Screw	4
19	848B19	Cylinder	1	41	848B41	Spring Washer	4
20	848B20	Valve Box	1	42	848B42	Air Inlet	1
21	848B21	Bushing	1	44	848B44	Trigger Assembly	1
22	848B22	Valve Liner	1	45	848B45	Spring Pin	1
23	848B23	Guide Frame	1	50	848B50	Screw	1
24	848B24	Spacer	1				