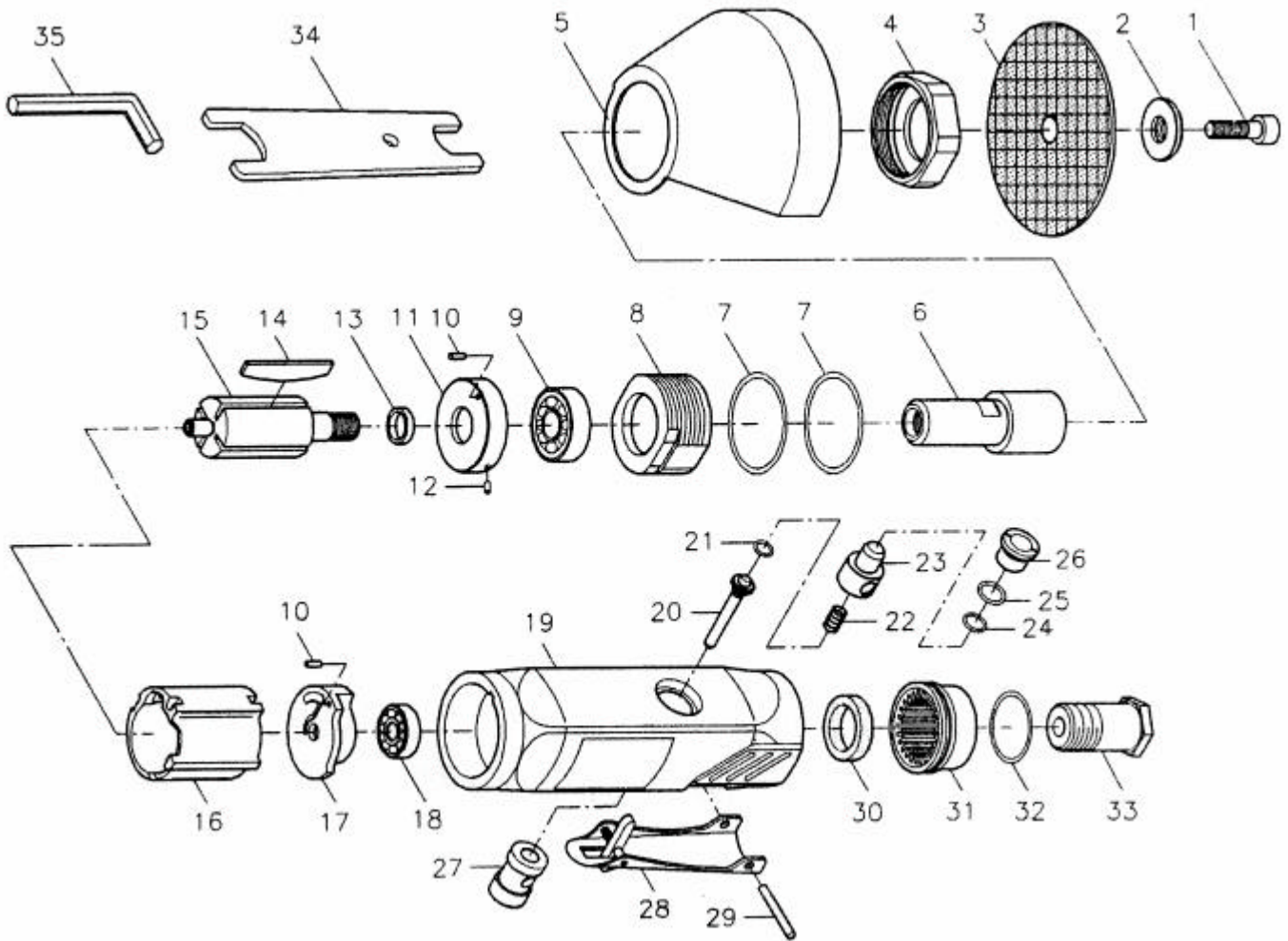


GISON Pneumatic Tools

GP-847T CUT-OFF TOOL



PARTS LIST

✳ :Consuming Part

Item No.	Part No.	Description	Qty.	Item No.	Part No.	Description	Qty.
1	847T01	Cap Screw	1	20	847T20	Valve Stem	1
2	847T02	Washer	1	21	847T21	O-Ring	1
3	847T03	Cutting Wheel	1	22	847T22	Spring	1
4	847T04	Nut	1	23	847T23	Regulator	1
5	847T05	Protecting Cover	1	24	847T24	O-Ring	1
6	847T06	Shaft	1	25	847T25	O-Ring	1
7	847T07	O-Ring	2	26	847T26	Valve Plug	1
8	847T08	Clamp Nut	1	27	847T27	Bushing	1
9	847T09	Ball Bearing	1	28	847T28	Throttle Lever	1
10	847T10	Spring Pin	2	29	847T29	Spring Pin	1
11	847T11	Front End Plate	1	30	847T30	Muffler	1
12	847T12	Spring Pin	1	31	847T31	Hose Adapter	1
13	847T13	Spacer	1	32	847T32	O-Ring	1
14	847T14	Rotor Blade	4		847T33A	Air Inlet (1/4"PF)	
15	847T15	Rotor	1	33	847T33B	Air Inlet (1/4"PT)	1
16	847T16	Cylinder	1		847T33C	Air Inlet (1/4"NPT)	
17	847T17	Rear End Plate	1	34	847T34	Double Ended Wrench	1
18	847T18	Ball Bearing	1	35	847T35	Hex. Wrench	1
19	847T19	Motor Housing	1				