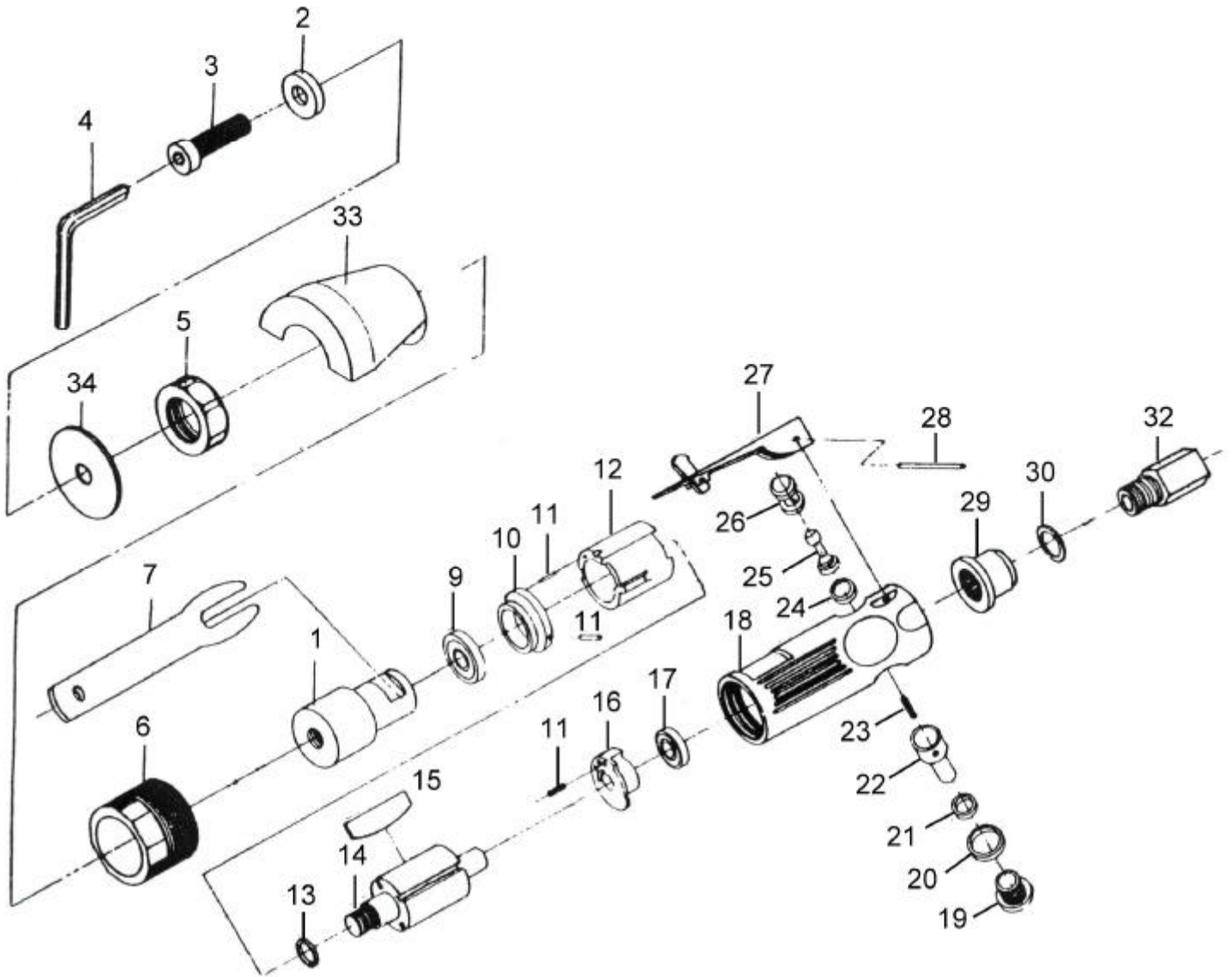




# GISON Pneumatic Tools

## GP-847N Hi-Speed Air Cutter



### PARTS LIST

◆ : Consuming Part

Item No.	Part No.	Description	Qty.	Item No.	Part No.	Description	Qty.
1	847N01	Collet	1	18	847N18	Motor Housing	1
2	847N02	Spacer	1	19	847N19	Valve Screw	1
3	847N03	Hex Screw	1	20	847N20	O-Ring	1
4	847N04	Allen Wrench	1	21	847N21	O-Ring	1
5	847N05	Nut	1	22	847N22	Air Regulator	1
6	847N06	Retainer	1	23	847N23	Spring	1
7	847N07	Wrench	1	24	847N24	O-Ring	1
9	847N09	Ball Bearing	1	25	847N25	Throttle Valve	1
10	847N10	Front End Plate	1	26	847N26	Valve	1
11	847N11	Ball	3	27	847N27	Throttle Lever	1
12	847N12	Cylinder	1	28	847N28	Throttle Lever Pin	1
13	847N13	Bearing Spacer	1	29	847N29	Exhaust Deflector	1
14	847N14	Rotor	1	30	847N30	O-Ring	1
15	847N15	Rotor Blade	4	32	847N32	Inlet Bushing	1
16	847N16	Rear Plate	1	33	847N33	Plastic Protector	1
17	847N17	Ball Bearing	1	34	847N34	Cutting Wheel	1