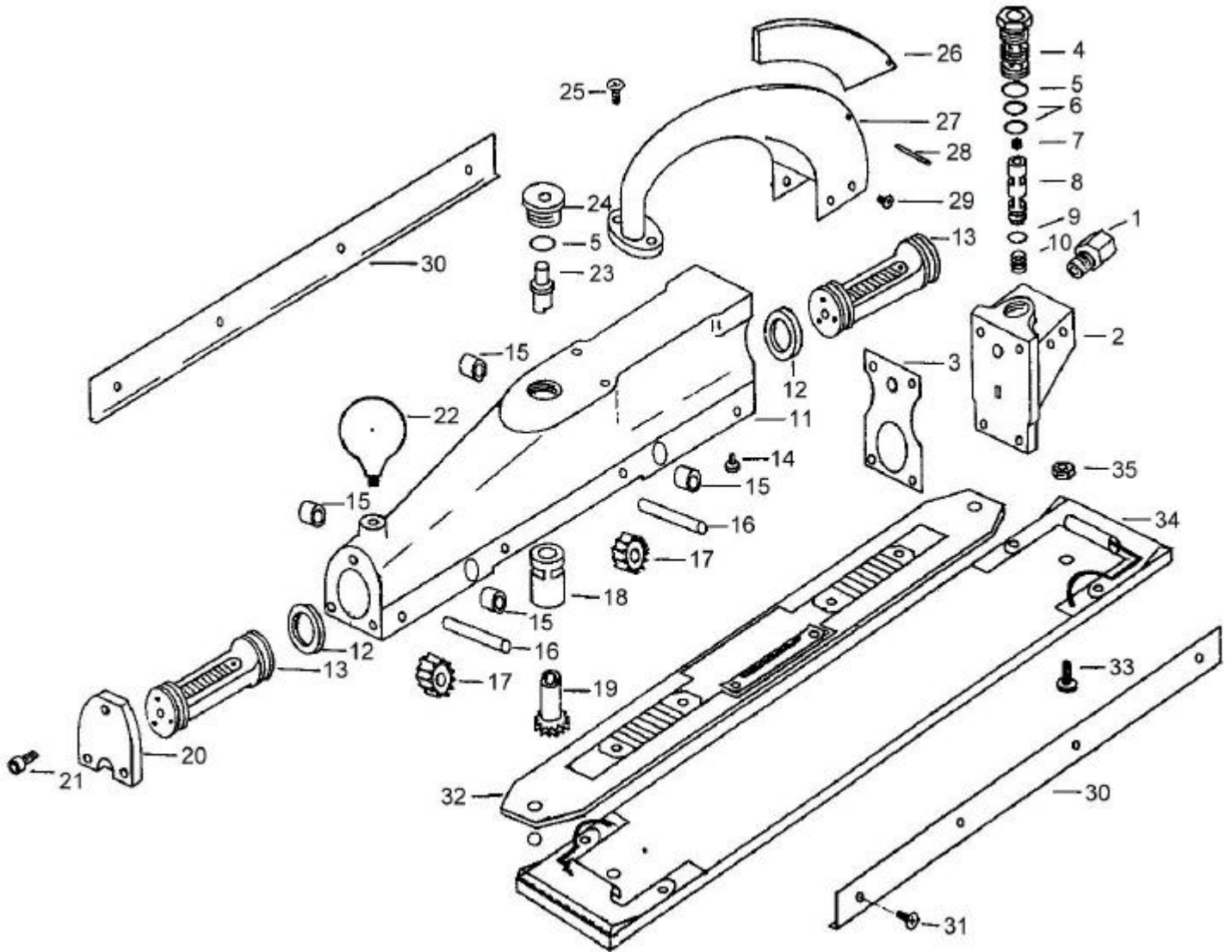




# 吉生 GISON

## GP-845A Straight Line Sander (Big Type)



### PARTS LIST

✳ : Consuming Part

| Item No. | Part No. | Description        | Qty. | Item No. | Part No. | Description          | Qty. |
|----------|----------|--------------------|------|----------|----------|----------------------|------|
| 1        | 845A01   | Hose Adapter       | 1    | 19       | 845A19   | Actuator Gear        | 1    |
| 2        | 845A02   | Rear Head          | 1    | 20       | 845A20   | Front Head           | 1    |
| 3        | 845A03   | Parking            | 1    | 21       | 845A21   | Socket Cap Scr.      | 7    |
| 4        | 845A04   | Valve              | 1    | 22       | 845A22   | Knob Assembly        | 1    |
| 5        | 845A05   | O-Ring             | 2    | 23       | 845A23   | Adj. Shaft           | 1    |
| 6        | 845A06   | O-Ring             | 2    | 24       | 845A24   | Plunger              | 1    |
| 7        | 845A07   | Socket Scr.        | 1    | 25       | 845A25   | Philips Rd. Hd. Scr. | 2    |
| 8        | 845A08   | Switch Control Bat | 1    | 26       | 845A26   | Trigger              | 1    |
| 9        | 845A09   | O-Ring             | 1    | 27       | 845A27   | Handle               | 1    |
| 10       | 845A10   | Spring             | 1    | 28       | 845A28   | Roll Pin             | 1    |
| 11       | 845A11   | Body Assembly      | 1    | 29       | 845A29   | Flat Headle Scr.     | 4    |
| 12       | 845A12   | Piston Ring        | 2    | 30       | 845A30   | Side Strape          | 2    |
| 13       | 845A13   | Piston             | 2    | 31       | 845A31   | Philips Rd. Hd. Scr. | 8    |
| 14       | 845A14   | Wear Button        | 8    | 32       | 845A32   | Carrier Assembly     | 1    |
| 15       | 845A15   | Bearing            | 4    | 33       | 845A33   | Philips Rd. Hd. Scr. | 2    |
| 16       | 845A16   | Shaft              | 2    | 34       | 845A34   | Pad Assembly         | 1    |
| 17       | 845A17   | Gear               | 2    | 35       | 845A35   | Hex. Nut             | 2    |
| 18       | 845A18   | Actuator Valve     | 1    |          |          |                      |      |