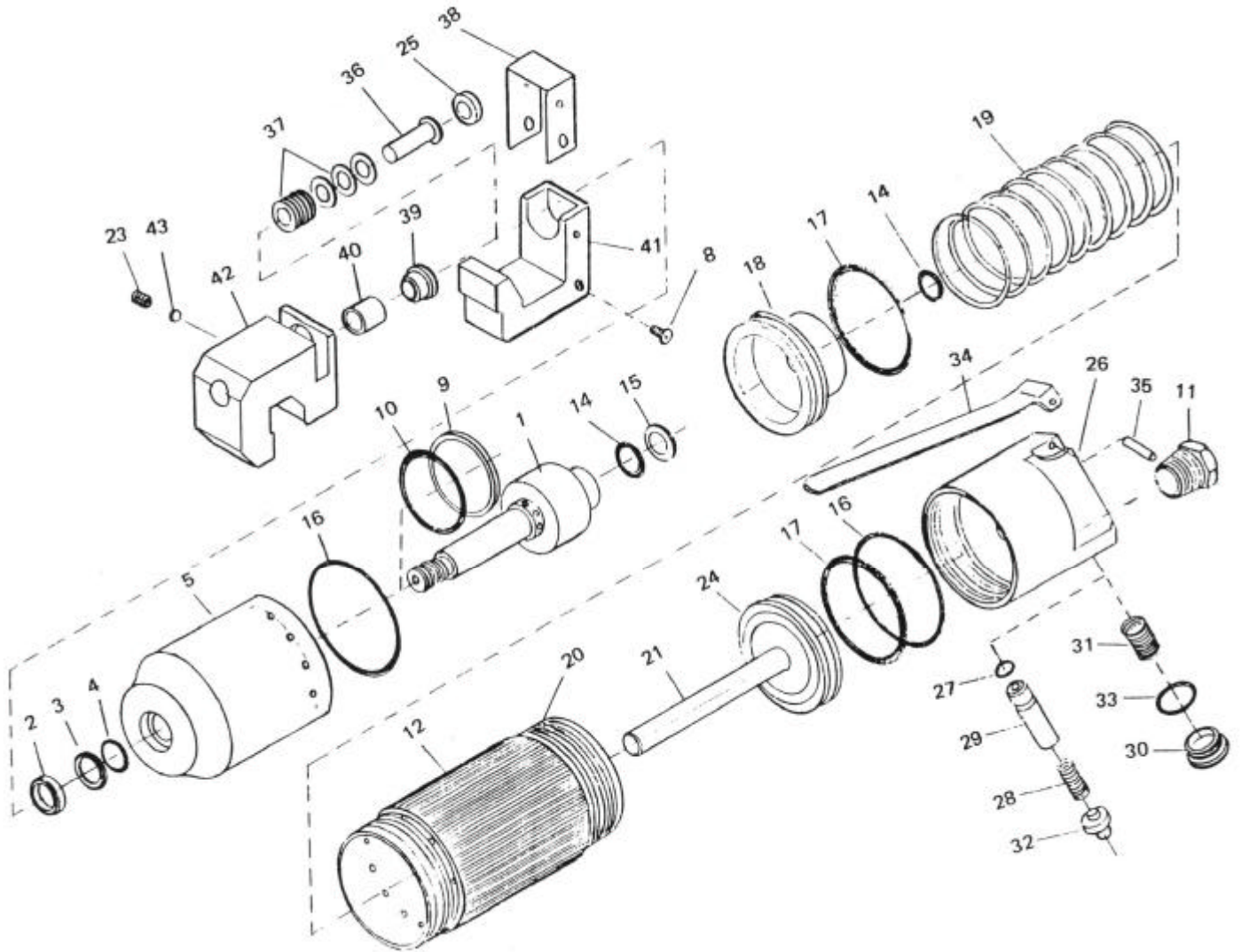




吉生 **GISON**

GP-842 Punch / Flange Tool



PARTS LIST

✳ : Consuming Part

Item No.	Part No.	Description	Qty.	Item No.	Part No.	Description	Qty.
1	842001	Hydraulic Piston	1	25	842025	Washer	1
2	842002	Sealing	1	26	842026	Valve Body	1
3	842003	Support Ring	1	27	842027	O-Ring	1
4	842004	O-Ring	1	28	842028	Spring	1
5	842005	Hydraulic Cylinder	1	29	842029	Push Rod	1
8	842008	Screw	2	30	842030	Screw	1
9	842009	Support Ring	1	31	842031	Spring	1
✳ 10	842010	O-Ring	1	32	842032	Valve	1
11	842011	Air Inlet	1	33	842033	O-Ring	1
12	842012	Plastic Wrap	1	34	842034	Lever	1
14	842014	O-Ring	2	35	842035	Spring Pin	1
15	842015	Support Ring	1	✳ 36	842036	Punch	1
16	842016	O-Ring	2	✳ 37	842037	Cup Spring	12
17	842017	O-Ring	2	38	842038	Cover Plate	1
18	842018	Piston	1	39	842039	Guide Bushing	1
19	842019	Spring	1	✳ 40	842040	Punch Die	1
20	842020	Air Cylinder	1	41	842041	Anvil	1
21	842021	High Press Piston	1	42	842042	Clamp	1
23	842023	Locking Screw	1	43	842043	Plug	1
24	842024	Air Piston	1				