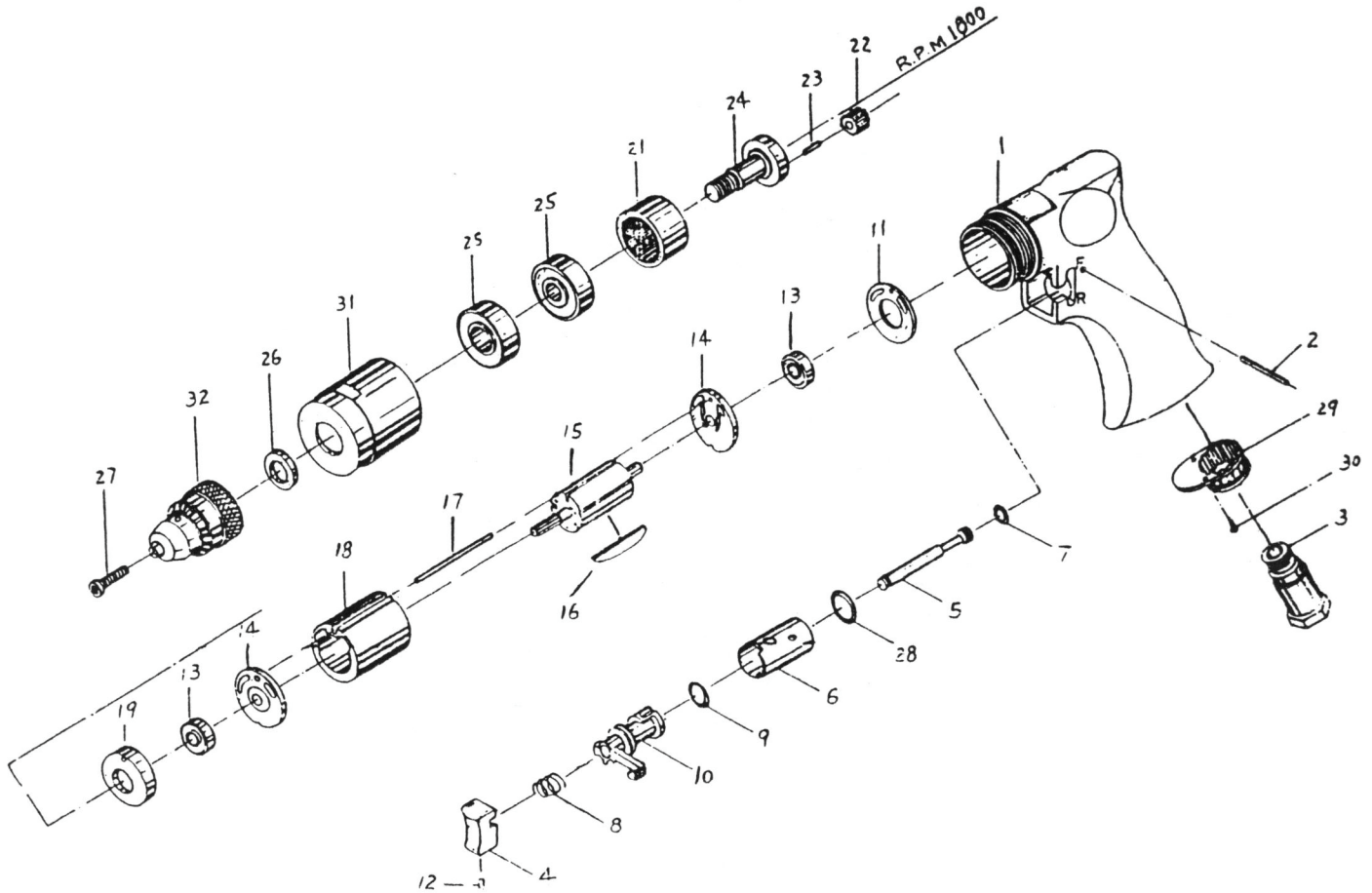




GISON Pneumatic Tools

GP-840S 3/8" Reversible Air Drill



PARTS LIST

✳ :Consuming Part

Item No.	Part No.	Description	Qty.	Item No.	Part No.	Description	Qty.
1	840S01	Housing	1	17	840S17	Pin	1
2	840S02	Spring Pin	1	18	840S18	Cylinder	1
3	840S03	Air Inlet	1	19	840S19	Spacer	1
4	840S04	Trigger	1	21	840S21	Internal Gear	2
5	840S05	Valve Stem	1	22	840S22	Planet Gear	3
6	840S06	Reverse Bushing	1	✳ 23	840S23	Pin	3
7	840S07	O-Ring	1	24	840S24	Work Spindle	1
8	840S08	Valve Spring	1	25	840S25	Ball Bearing	2
9	840S09	O-Ring	1	26	840S26	Nut	1
10	840S10	Reverse Lever	1	✳ 27	840S27	Chuck Screw	1
✳ 11	840S11	Motor Gasket	1	28	840S28	O-Ring	1
12	840S12	Set Screw	1	29	840S29	Exhaust Deffuser	1
13	840S13	Ball Bearing	2	30	840S30	Screw	2
14	840S14	End Plate	2	31	840S31	Clamp Nut	1
✳ 15	840S15	Rotor	1	32	840095	Drill Chuck (3/8")	1
✳ 16	840S16	Rotor Blade	4				