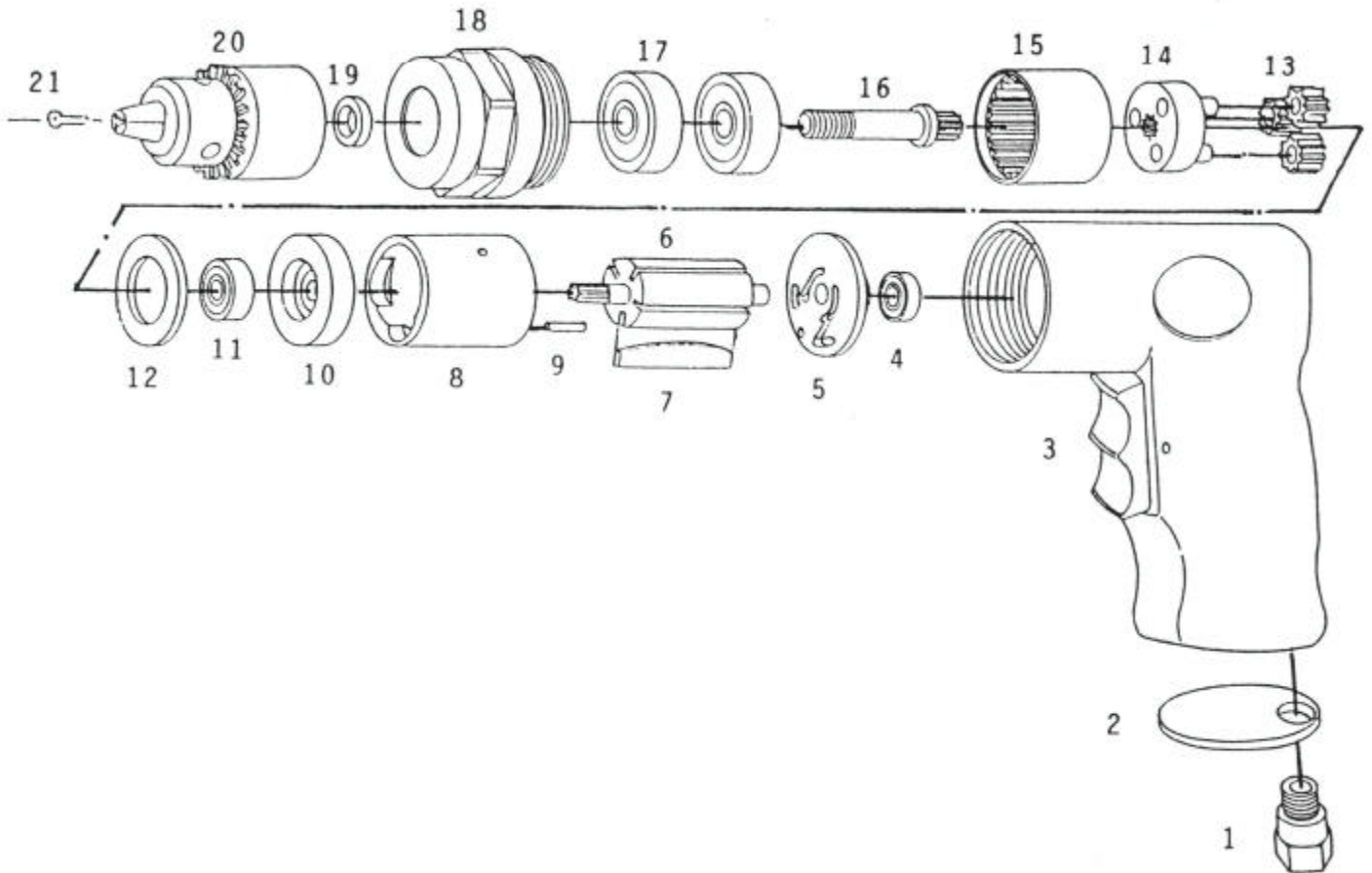




吉生 GISON

GP-840L 3/8" Reversible Air Drill



PARTS LIST

✳ :Consuming Part

Item No.	Part No.	Description	Qty.	Item No.	Part No.	Description	Qty.
1	840L01	Air Inlet	1	12	840L12	Washer	1
2	840L02	Exhaust Diffuser	1	13	840L13	Planet Gear	3
3	840L03	Handle Assembly	1	14	840L14	Planet Pin	3
4	840L04	Ball Bearing	1	15	840L15	Planet Cage	1
5	840L05	Rear Plate	1	16	840L16	Internal Gear	1
6	840L06	Rotor	1	17	840L17	Ball Bearing	2
✳ 7	840L07	Rotor Blade	5	18	840L18	Nose Housing	1
8	840L08	Cylinder	1	19	840L19	Washer	1
9	840L09	Roll Pin	1	20	840L20	Chuck	1
10	840L10	Front End Plate	1	21	840L21	Screw	1
11	840L11	Ball Bearing	1				