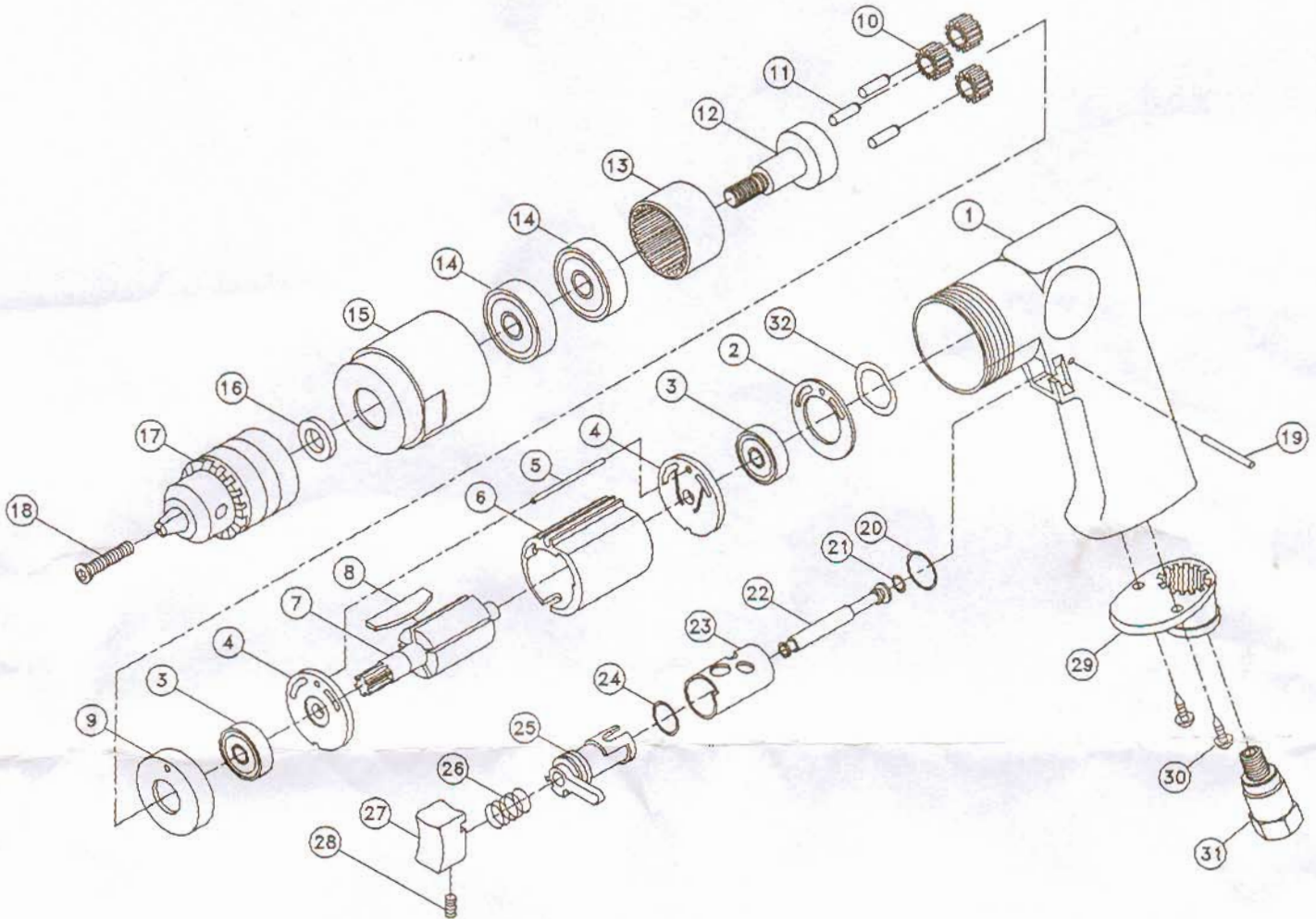




GISON Pneumatic Tools

GP-840B 3/8" Reversible Air Drill (Keyless)



PARTS LIST

★ : Consuming Part

Item No.	Part No.	Description	Qty.	Item No.	Part No.	Description	Qty.
1	840B01	Motor Housing	1	17	840B17	Drill Chuck	1
2	840B02	Gasket	1	18	840B18	Screw	1
3	840B03	Bearing 626	2	19	840B19	Pin	1
4	840B04	End Plate	2	20	840B20	O-Ring	1
5	840B05	Pin	1	21	840B21	O-Ring	1
6	840B06	Cylinder	1	22	840B22	Valve Stem	1
7	840B07	Rotor	1	23	840B23	Reverse Bushing	1
8	840B08	Blade	5	24	840B24	O-Ring	1
9	840B09	Bearing Case	1	25	840B25	Reverse Lever	1
10	840B10	Planet Gear	3	26	840B26	Valve Spring	1
11	840B11	Pin	3	27	840B27	Trigger	1
12	840B12	Gear Complete	1	28	840B28	Screw	1
13	840B13	Annular Gear	1	29	840B29	Exhaust Diffuser	1
14	840B14	Bearing 6201	2	30	840B30	Screw	2
15	840B15	Gear Housing	1	31	840B31	Air Inlet	1
16	840B16	Chuck Spacer	1	32	840B32	Wave Washer	1

※ If you need to order parts, please mark both **Parts No.** and **Description.**

<http://www.gison.com>