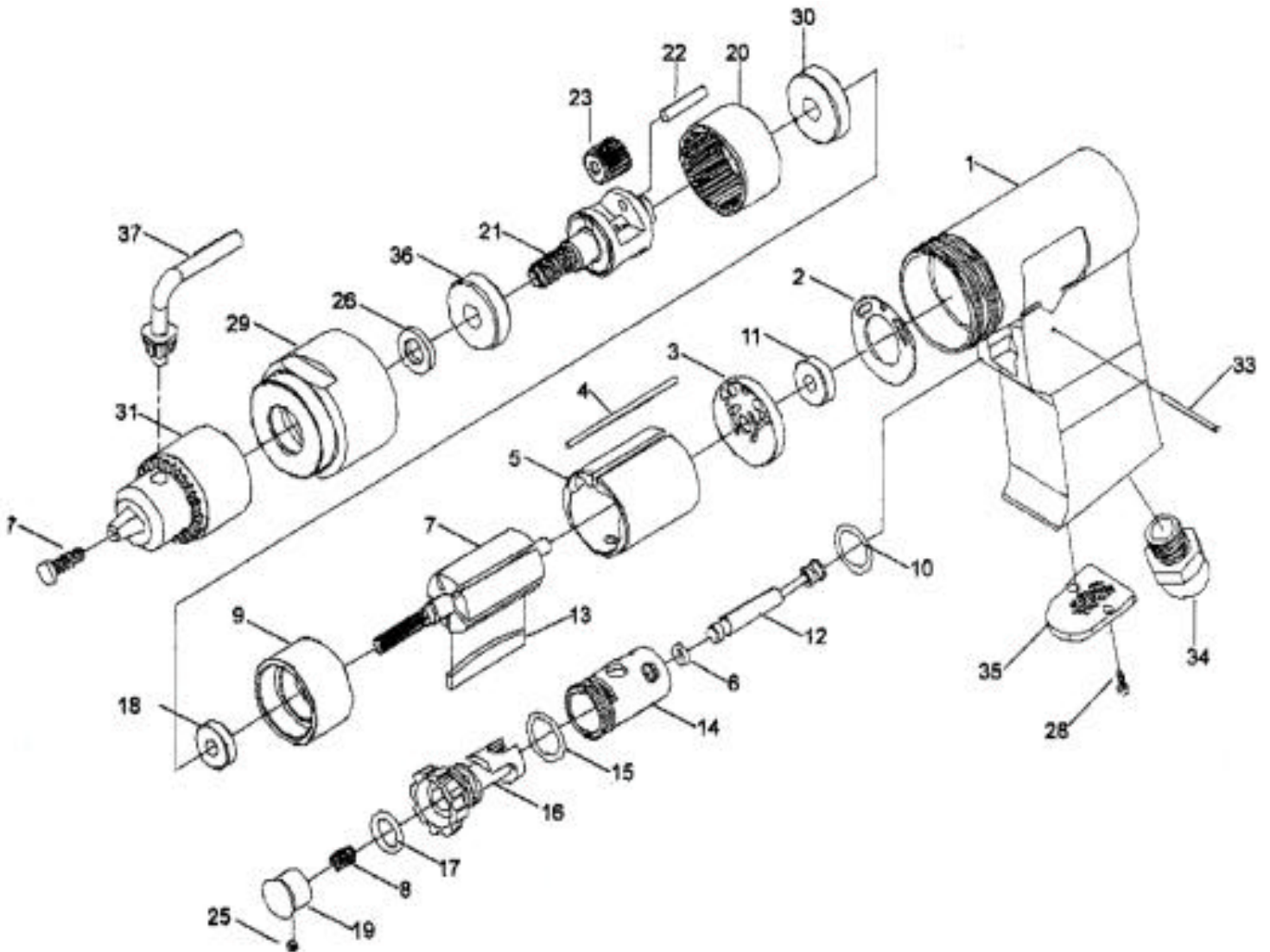




GISON Pneumatic Tools

GP-840A 3/8" Heavy Duty Reversible Air Drill



PARTS LIST

✱ : Consuming Part

No.	Part No.	Description	Qty.	No.	Part No.	Description	Qty.
01	840A01	Housing Motor	1	19	840A19	Trigger	1
02	840A02	Motor Gasket	1	20	840A20	Internal Gear	1
03	840A03	Plate Read End	1	21	840A21	Planet Link Spindle	1
04	840A04	Pin Liner	1	22	840A22	Pin	2
05	840A05	Cylinder	1	23	840A23	Gear	2
06	840A06	O-Ring	1	25	840A25	Set Screw	1
✱07	840A07	Rotor	1	26	840A26	Washer	1
08	840A08	Spring	1	✱27	840A27	Chuck Screw	1
09	840A09	Front Plate	1	28	840A28	Screw	2
10	840A10	O-Ring	1	29	840A29	Clamp Nut 1/2"	1
11	840A11	Ball Bearing	1	30	840A30	Ball Bearing	1
12	840A12	Valve Stem	1	31	840A31	Drill Chuck 1/2"	1
✱13	840A13	Rotor Blades	5	33	840A33	Spring Pin	1
14	840A14	Reverse Bushing	1	34	840A34	Air Inlet	1
15	840A15	O-Ring	1	35	840A35	Exhaust Diffuser	1
16	840A16	Reverse Lever	1	36	840A36	Ball Bearing	1
17	840A17	O-Ring	1	37	840A37	Chuck Key	1
18	840A18	Ball Bearing	1				