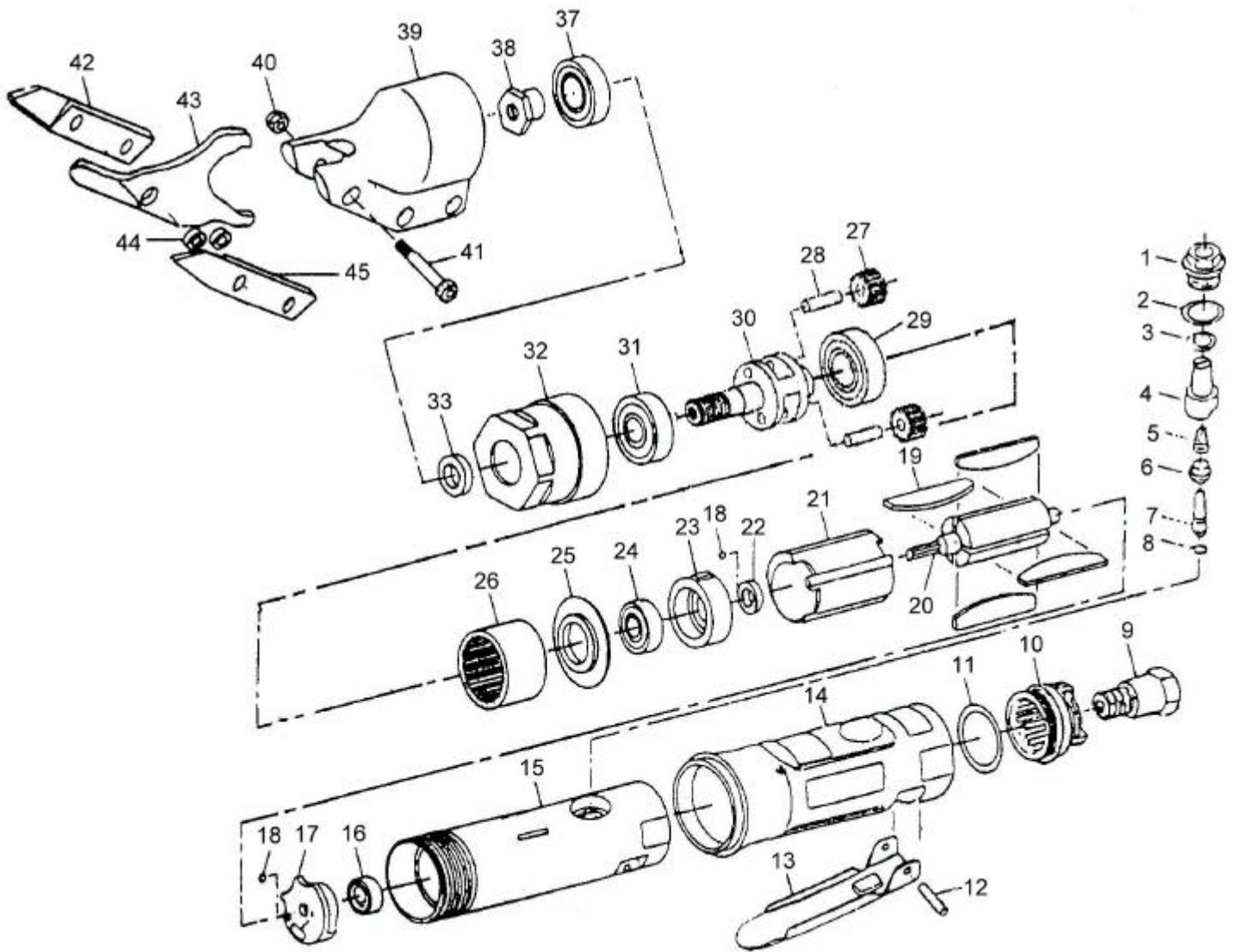


吉生 GISON

GP-838ST Air Metal Shear



PARTS LIST

✦ : Consuming Part

No.	Part No.	Description	Qty.	No.	Part No.	Description	Qty.
1	838ST01	Screw	1	22	838ST22	Bearing Spacer	1
2	838ST02	O-Ring	1	23	838ST23	Front Plate	1
3	838ST03	O-Ring	1	24	838ST24	Ball Bearing	1
4	838ST04	Air Regulator	1	25	838ST25	Washer	1
5	935SG6	Spring	1	26	838ST26	Thrad Ring Gear	1
6	838ST06	Valve Stem Bushing	1	27	838ST27	Idler Gear	2
7	838ST07	Valve Stem	1	28	838ST28	Idler Gear Pin	2
8	838ST08	O-Ring	1	29	838ST29	Ball Bearing	1
9	838ST09	Air Inlet	1	30	838ST30	Idler Gear Plate	1
10	838ST10	Exhaust Sleeve	1	31	838ST31	Ball Bearing	1
11	838ST11	O-Ring	1	32	838ST32	Clamp Nut	1
12	838ST12	Pin	1	33	838ST33	Washer	1
13	838ST13	Lever	1	37	838ST37	Ball Bearing	1
14	838ST14	Protecting Rubber	1	38	838ST38	Excentric Nut	1
15	838ST15	Housing	1	39	838ST39	Cutter Housing	1
16	838ST16	Ball Bearing	1	40	838ST40	Nut	3
17	838ST17	Rear Plate	1	41	838ST41	Lock Screw	3
18	838ST18	Steel Ball	2	42	838ST42	Left Blade	1
19	838ST19	Rotor Blade	4	43	838ST43	Center Blade	1
20	838ST20	Rotor	1	44	838ST44	Spacer	2
21	838ST21	Cylinder	1	45	838ST45	Right Blade	1