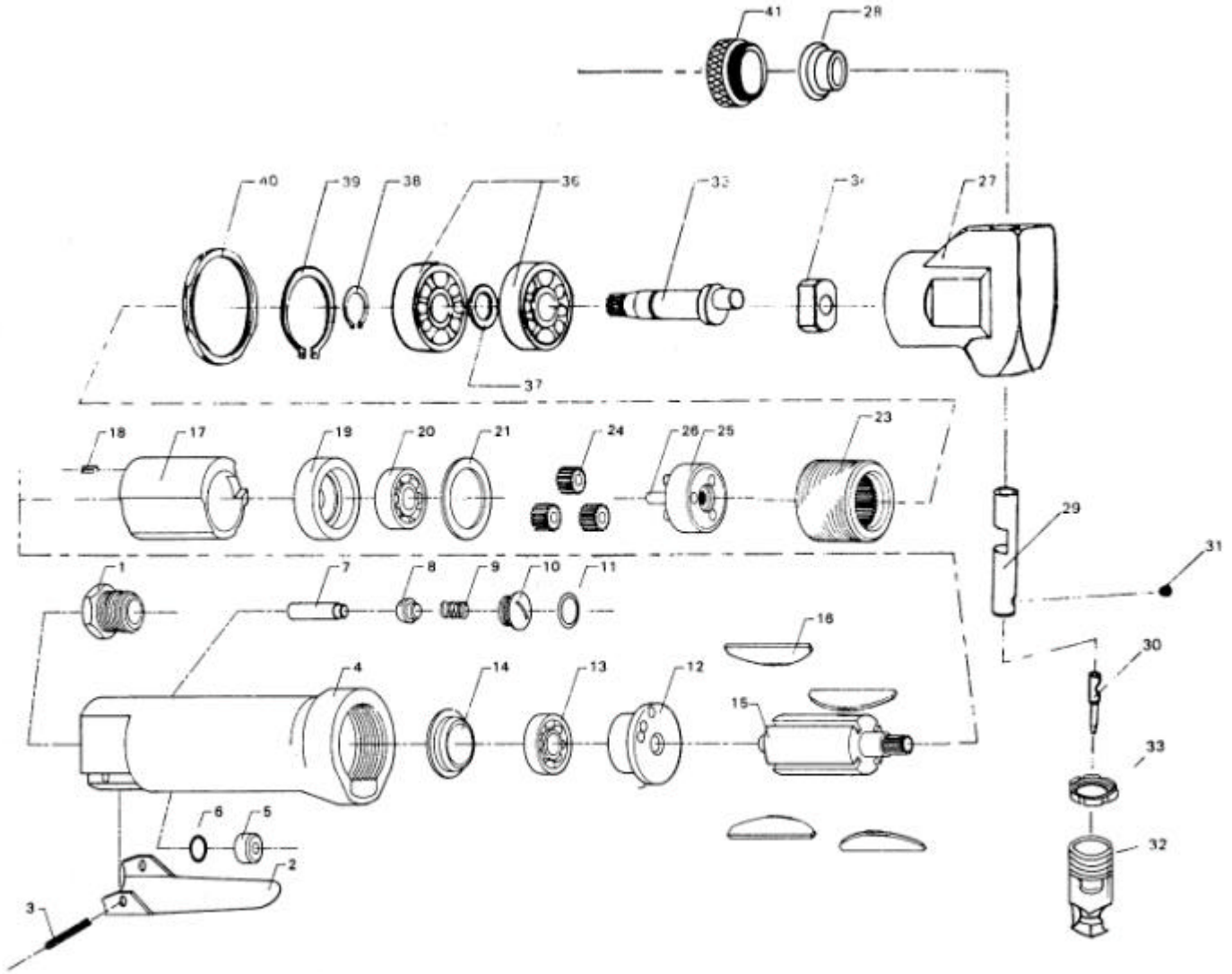


吉生 GISON

GP-838NI Air Nibbler



PARTS LIST

✳ : Consuming Part

Item No.	Part No.	Description	Qty.	Item No.	Part No.	Description	Qty.
1	838NI01	Air Inlet Bushing	1	22	838NI22	Body Clamp Nut	1
2	838NI02	Throttle Lever	1	23	838NI23	Gear Case	1
3	838NI03	Handle Pin	1	24	838NI24	Idler Gear	3
4	838NI04	Handle, Throttle	1	25	838NI25	Rear Sprindle	1
5	838NI05	O-Ring Keeper	1	26	838NI26	Idler Gear Pin	3
6	838NI06	O-Ring	1	27	838NI27	Nibbler Head	1
7	838NI07	Valve Stem	1	28	838NI28	Pushing Rod Bushing	1
8	838NI08	Valve Ball	1	29	838NI29	Pushing Rod	1
9	838NI09	Spring	1	30	838NI30	Cutter	1
10	838NI10	Plug	1	31	838NI31	Screw	1
11	838NI11	O-Ring	1	32	838NI32	Die	1
12	838NI12	Rear End Plate	1	33	838NI33	Nut	1
13	838NI13	Ball Bearing	1	34	838NI34	Drive Bushing	2
14	838NI14	End Plate Cap	1	35	838NI35	Shaft	1
15	838NI15	Rotor	1	36	838NI36	Ball Bearing	2
✳ 16	838NI16	Rotor Balde	4	37	838NI37	Washer	1
17	838NI17	Cylinder	1	38	838NI38	Snap Ring	1
18	838NI18	Pin	1	39	838NI39	Snap Ring	1
19	838NI19	Front End Plate	1	40	838NI40	Nut	1
20	838NI20	Ball Bearing	1	41	838NI41	Plug	1
21	838NI21	Washer	1				