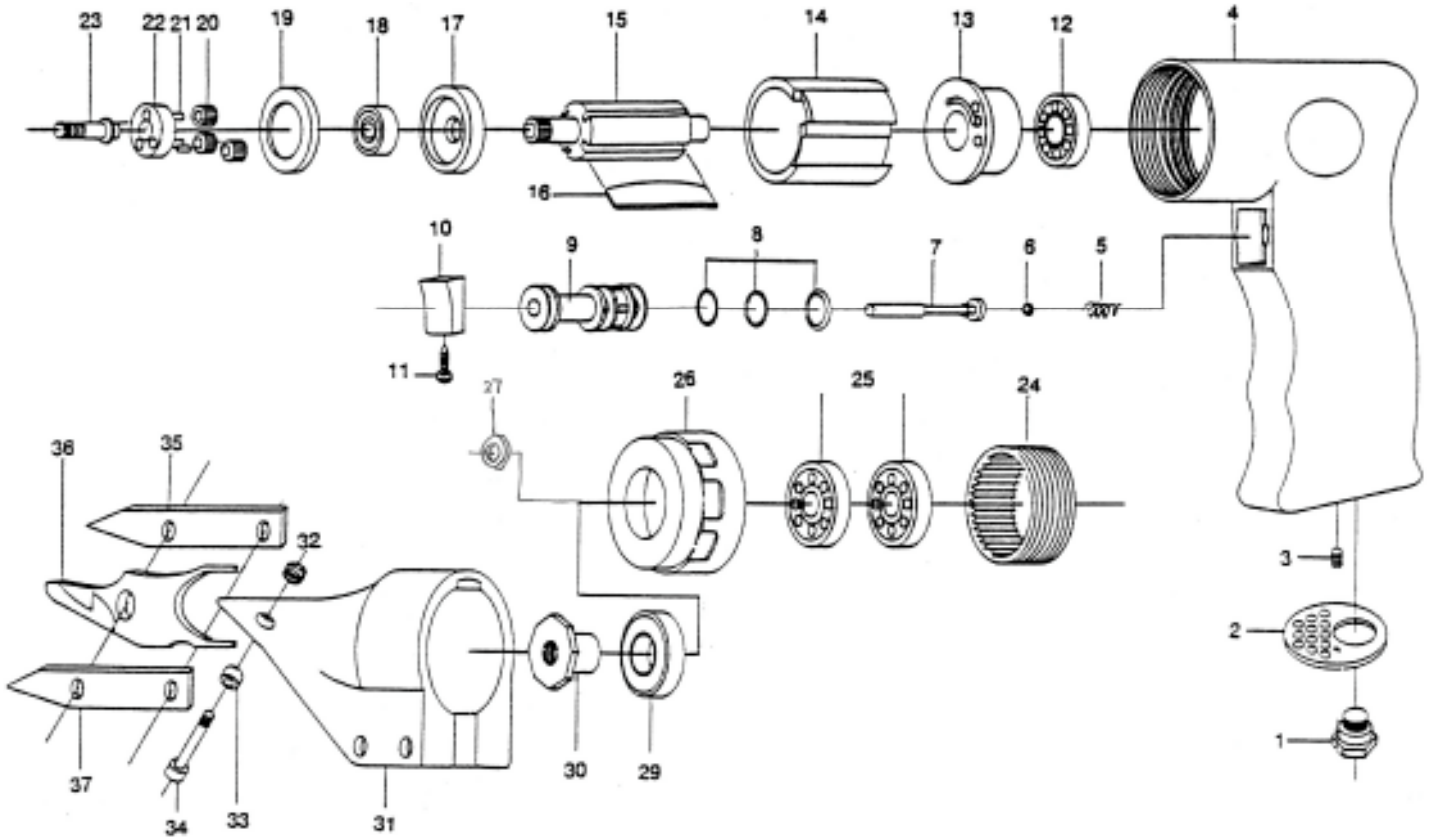




# GISON Pneumatic Tools

## GP-838C Air Metal Shear



### PARTS LIST

✧ : Consuming Part

Item No.	Part No.	Description	Qty.	Item No.	Part No.	Description	Qty.
1	838C01	Hose Adapter	1	19	838C19	Retainer	1
2	838C02	Exhaust Sleeve	1	✧ 20	838C20	Gear	3
3	838C03	Valve Body Set Screw	1	21	838C21	Gear Pin	3
4	838C04	Motor Housing	1	22	838C22	Gear Plate	1
✧ 5	838C05	Spring	1	✧ 23	838C23	Shaft	1
✧ 6	838C06	O-Ring	1	24	838C24	Ring Gear	1
7	838C07	Valve Stem	1	25	838C25	Ball Bearing	2
8	838C08	O-Ring	3	26	838C26	Clamp Nut	1
9	838C09	Valve Body	1	27	838C27	Spacer	1
10	838C10	Trigger	1	29	838C29	Ball Bearing	1
11	838C11	Screw	1	30	838C30	Excentric Nut	1
12	838C12	Ball Bearing	1	31	838C31	Cutter Housing	1
13	838C13	Rear End Plate	1	32	838C32	Lock Nut	3
14	838C14	Cylinder	1	33	838C33	Spacer	2
15	838C15	Rotor	1	34	838C34	Lock Screw	3
✧ 16	838C16	Rotor Blade	4	35	838C35	Left Blade	1
17	838C17	Front End Plate	1	36	838C36	Center Blade	1
18	838C18	Ball Bearing	1	37	838C37	Right Blade	1