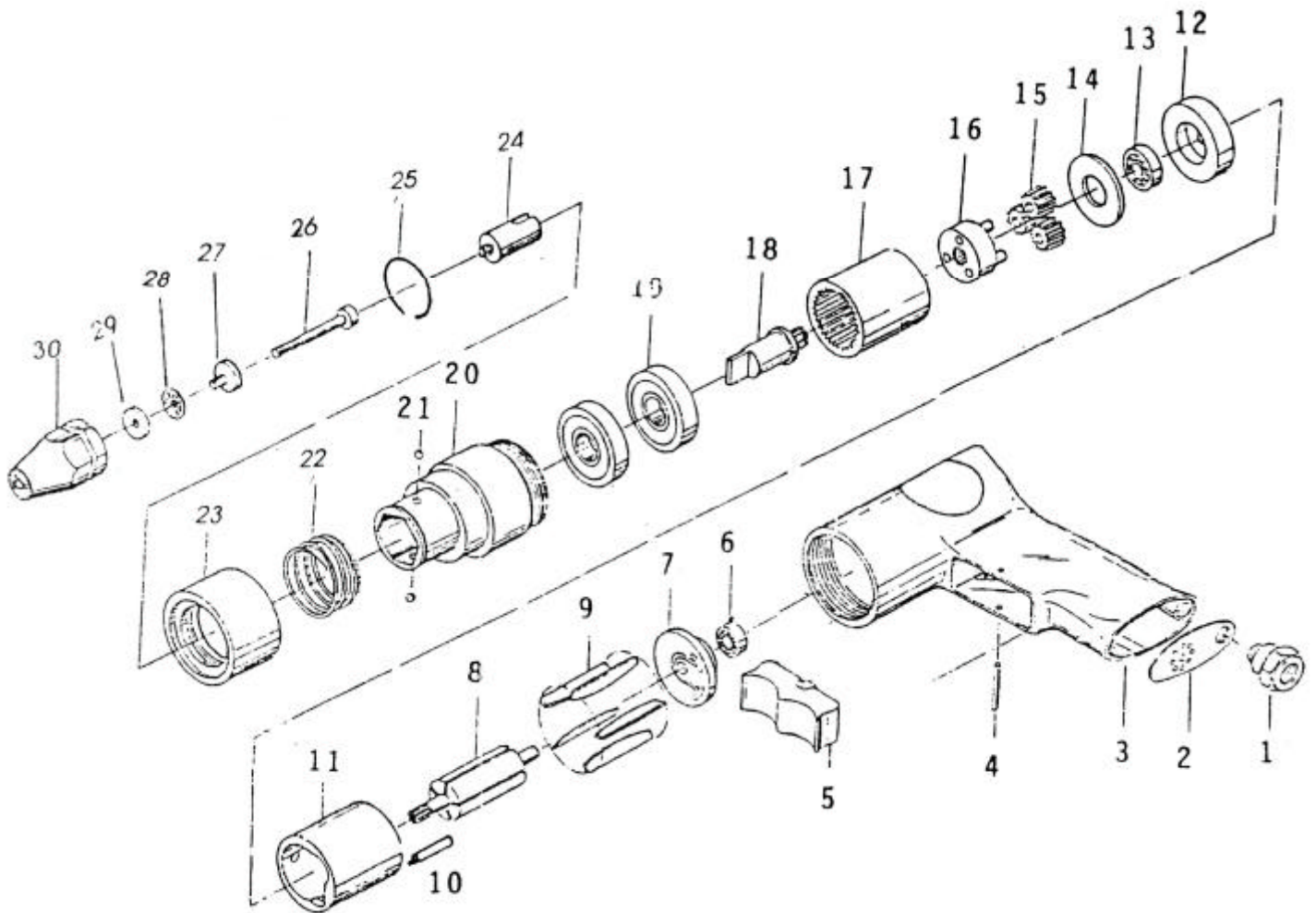


# 吉生 GISON

## GP-836G2 Air Pull-Setters



### PARTS LIST

✳ : Consuming Part

Item No.	Part No.	Description	Qty.	Item No.	Part No.	Description	Qty.
1	836G201	Air Inlet	1	22	836G222	Change Value Spring	1
2	836G202	Duffuser-Exhaust	1	23	836G223	Pin Stopper Washer	1
3	836G203	Handle Assembly	1	24	836G224a	Spindle (Back) M3	1
4	836G204	Pin	1		836G224b	Spindle (Back) M4	
5	836G205	Trigger	1		836G224c	Spindle (Back) M5	
6	836G206	Ball Bearing	1		836G224d	Spindle (Back) M6	
7	836G207	Rear Plate	1		836G224e	Spindle (Back) M8	
8	836G208	Rotor	1		836G224f	Spindle (Back) M10	
✳ 9	836G209	Rotor Blade	5	25	836G225	Spring Receiver	1
10	836G210	Roll Pin	1	26	836G226	Screw (M5)	1
11	836G211	Cylinder	1		836G226a	Screw (M6)	
12	836G212	Front End Plate	1	27	836G295	Spindle Lock Screw (M5)	1
13	836G213	Ball Bearing	1		836G295a	Spindle Lock Screw (M6)	
14	836G214	Washer	1	28	836G228	Ball Bearing (M5)	1
✳ 15	836G215	Planet Gear	3		836G228a	Ball Bearing (M6)	
16	836G216	Planet Pin	1	29	836G229	Washer (M5)	1
17	836G217	Planet Cage	1		836G229a	Washer (M6)	
18	836G218	Internal Gear	1	30	836G230	Spindle Cover (M5)	1
19	836G219	Ball Bearing	2		836G230a	Spindle Cover (M6)	
20	836G220	Nose Housing	1	31	M5	5 mm Pull Setter Head	1
21	836G221	Cam Rider Ball	2	32	M6	6 mm Pull Setter Head	1