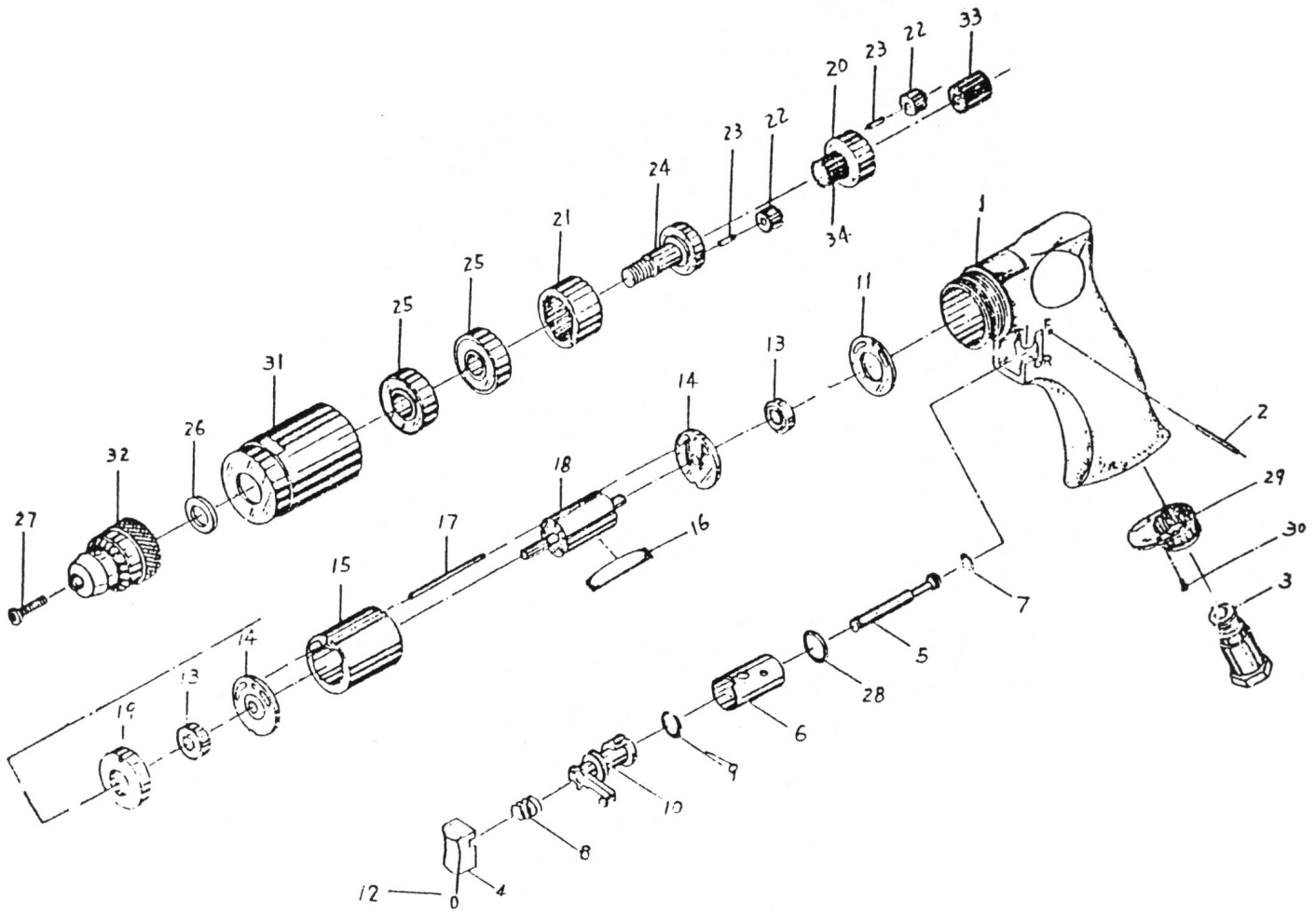




GISON Pneumatic tools

GP-836D 1/2" Heavy Duty Reversible Drill



PARTS LIST

✳ : Consuming Part

Item No.	Part No.	Description	Qty.	Item No.	Part No.	Description	Qty.
1	836D01	Housing	1	18	836D18	Rotor	1
2	836D02	Spring Pin	1	19	836D19	Spacer	1
3	836D03	Air Inlet	1	20	836D20	Planet Gear Plate (1/2")	1
4	836D04	Trigger	1	21	836D21	Gear Link (1/2")	2
5	836D05	Valve Stem	1	22	836D22	Planet Gear (1/2")	6
6	836D06	Reverse Bushing	1	23	836D23	Pin (1/2")	6
7	836D07	O-Ring	1	24	836D24	Planet Link Spindle (1/2")	1
8	836D08	Valve Spring	1	25	836D25	Ball Bearing	2
9	836D09	O-Ring	1	26	836D26	Washer	1
10	836D10	Reverse Lever	1	27	836D27	Chuck Screw	1
11	836D11	Motor Gasket	1	28	836D28	O-Ring	1
12	836D12	Set Screw	1	29	836D29	Exhaust Muffler	1
13	836D13	Ball Bearing	2	30	836D30	Screw	2
14	836D14	End Plate	2	31	836D31	Clamp Nut (1/2")	1
15	836D15	Cylinder	1	32	836095	Drill Chuck (1/2")	1
✳ 16	836D16	Rotor Blades	4	33	836D33	Gear (1/2")	1
17	836D17	Pin	1	34	836D34	Gear (1/2")	1