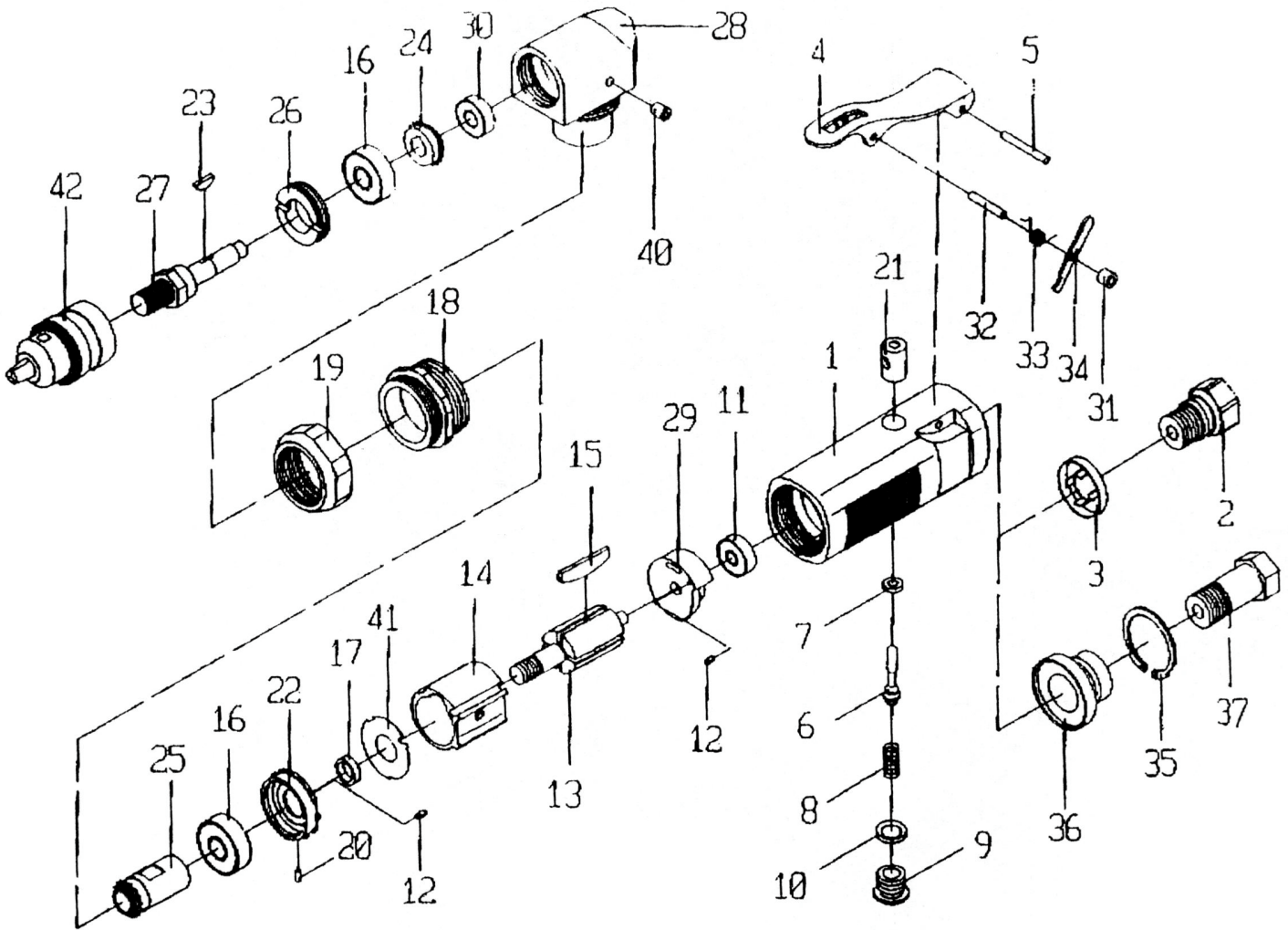




# GISON Pneumatic Tools

## GP-835AD 1/4" Mini Angle Drill W/Muffler



### PARTS LIST

✳ : Consuming Part

Item No.	Part No.	Description	Qty.	Item No.	Part No.	Description	Qty.
1	835AD01	Housing	1	21	835AD21	Valve Bushing	1
2	835AD02	Air Inlet	1	22	835AD22	Front End Plate	1
3	835AD03	Muffle Cover	1	23	835AD23	Woodruff Key	1
4	835AD04	Throttle Lever	1	24	835AD24	Angle Gear	1
5	835AD05	Roll Pin	1	25	835AD25	Angle Gear	1
6	835AD06	Valve	1	26	835AD26	Lock Nut	1
7	835AD07	O-Ring	1	27	835AD27	Work Spindle	1
8	835AD08	Valve Spring	1	28	835AD28	Angle Head	1
9	835AD09	Valve Plug	1	29	835AD29	Rear End Plate	1
10	835AD10	O-Ring	1	30	835AD30	Ball Bearing	1
11	835AD11	Ball Bearing	1	31	835AD31	Bushing	1
12	835AD12	Pin	2	32	835AD32	Pin	1
13	835AD13	Rotor	1	33	835AD33	Spring	1
14	835AD14	Cylinder	1	34	835AD34	Pin	1
✳ 15	835AD15	Rotor Blade	4	35	835AD35	Retainer Ring	1
16	835AD16	Ball Bearing	2	36	835AD36	Muffle Cover	1
17	835AD17	Bushing	1	37	835AD37	Air Inlet	1
18	835AD18	Connect Nut	1	40	835AD40	Grease Cap	1
19	835AD19	Clamp Nut	1	41	835AD41	Washer	1
20	835AD20	Pin	1	42	835AD42	Chuck (1/4")	1