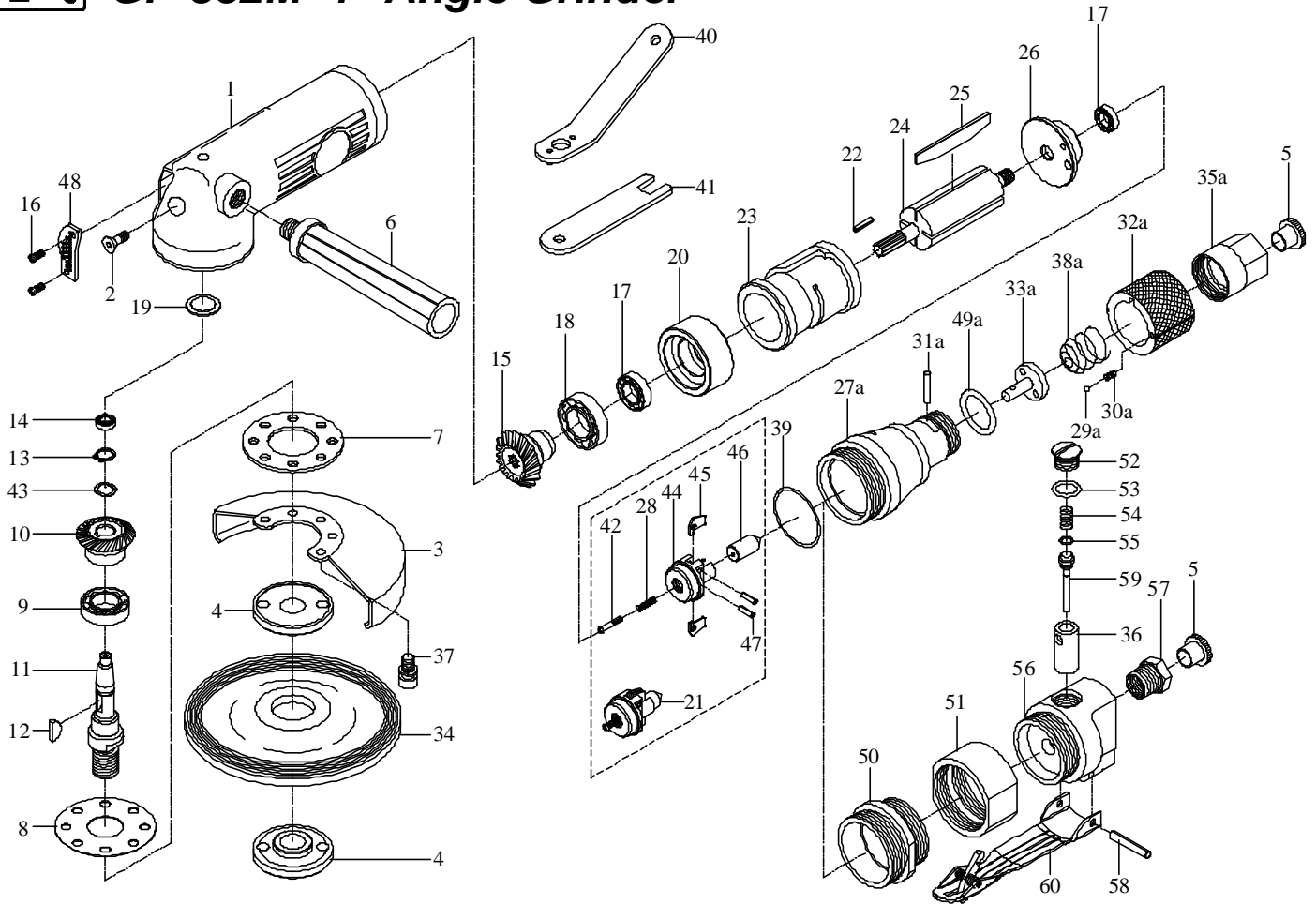




吉生 GISON

GP-832M 4" Angle Grinder



PARTS LIST

☛ : Consuming Part

Item No.	Part No.	Description	Qty	Item No.	Part No.	Description	Qty
1	832001	Body	1	31a	P014	Valve Pin	1
2	MT001	Screw	1	32a	832032	Valve Ring	1
3	832003	Disc Cover	1	☛ 33a	832033	Throttle Valve	1
☛ 4	832N04	Disc Nut	2	34	832034	Disc Wheel	1
5	829046	Plastic Cover	1	35a	832035	Valve Joint	1
6	832006	Grip	1	36	832061	Valve Bushing	1
7	832007	Retainer	1	37	CAP015	Cap Screw	4
8	832008	Gasket	1	38a	832038	Coil Spring	1
9	B6202ZZ	Ball bearing	1	39	OR032	O-Ring	1
☛ 10	832010	Bevel Gear	1	40	832040	Disc Spanner	1
11	832011	Gear Shaft (M10)	1	41	832041	Stop Spanner	1
12	KR002	Key	1	42	832042	Adjust Screw	1
13	C10	Retaining Ring	1	43	WW10	Wave Washer	1
14	B626ZZ	Ball Bearing	1	44	832044	Governor	1
☛ 15	832015	Pinion Gear	1	45	832045	Pendulum	8
16	TP3X10	Screw	2	46	832046	Plunger	1
☛ 17	B608ZZ	Ball Bearing	2	47	SP017	Spring Pin	2
18	B6201	Ball Bearing	1	48	832048	Exhaust Cover	1
19	832019	Spacer	1	49a	OR035	O-Ring	1
20	829023	Front Plate	1	50	832050	Lock Ring	1
21	832h01	Governor Assembly	1	51	832051	Coupling Nut	1
22	SP025	Spring Pin	1	52	832052	Valve Screw	1
23	829022	Cylinder	1	53	OR033	O-Ring	1
24	832024	Rotor	1	54	S028	Valve Spring	1
☛ 25	829019	Rotor Blade	4	55	OR034	O-Ring	1
26	829018	Rear Plate	1	56	832056	Valve Housing	1
27a	832027	Governor Case	1	57	832057	Hose Adapter	1
28	S026	Spring	1	58	SP018	Spring Pin	1
29a	832029	Steel Ball	1	59	832059	Valve Pin	1
30a	S027	Valve Spring	1	60	832j01	Complete Lever Assembly	1