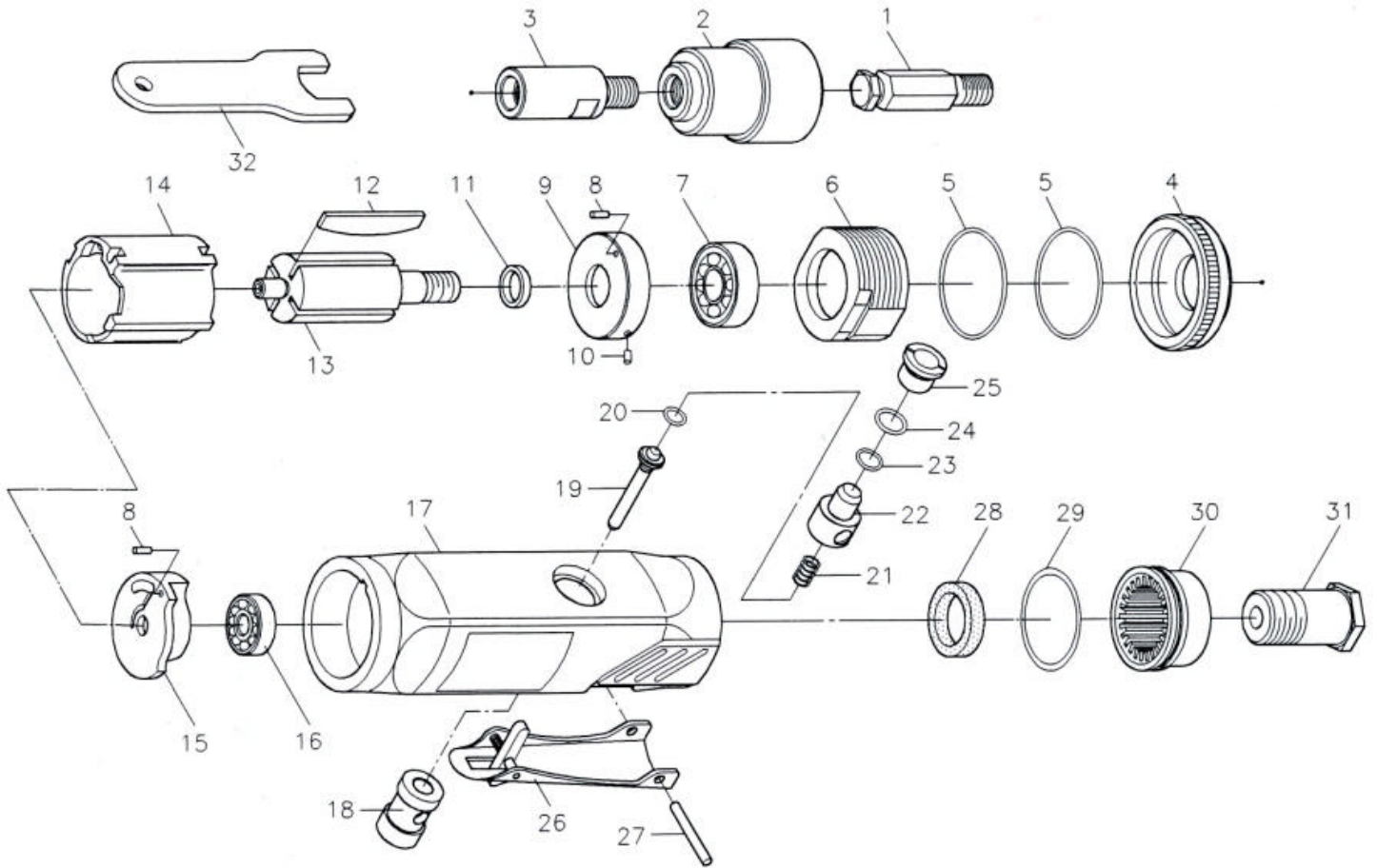




GISON Pneumatic Tools

GP-824TC Professional Air Tire Buffer



PARTS LIST

✳ : Consuming Part

Item No.	Part No.	Description	Qty.	Item No.	Part No.	Description	Qty.
1	824TC01	Spindle	1	18	824TC18	Bushing	1
2	824TC02	Q.C	1	19	824TC19	Valve Stem	1
3	824TC03	Connect Shaft	1	20	824TC20	O-Ring	1
4	824TC04	Housing Cover	1	21	824TC21	Spring	1
5	824TC05	O-Ring	2	22	824TC22	Regulator	1
6	824TC06	Clamp Nut	1	23	824TC23	O-Ring	1
7	824TC07	Ball Bearing	1	24	824TC24	O-Ring	1
8	824TC08	Spring Pin	2	25	824TC25	Valve Plug	1
9	824TC09	Front End Plate	1	26	824TC26	Throttle Lever	1
10	824TC10	Spring Pin	1	27	824TC27	Spring Pin	1
11	824TC11	Spacer	1	28	824TC28	Muffer	1
12	824TC12	Rotor Blade	4	29	824TC29	Hose Adapter	1
13	824TC13	Rotor	1	30	824TC30	O-Ring	1
14	824TC14	Cylinder	1	31	824TC31	Air Inlet (1/4"PF)	
15	824TC15	Rear End Plate	1			Air Inlet (1/4"PT)	1
16	824TC16	Ball Bearing	1			Air Inlet (1/4"NPT)	
17	824TC17	Motor Housing	1	32	824TC32	Spanner	1