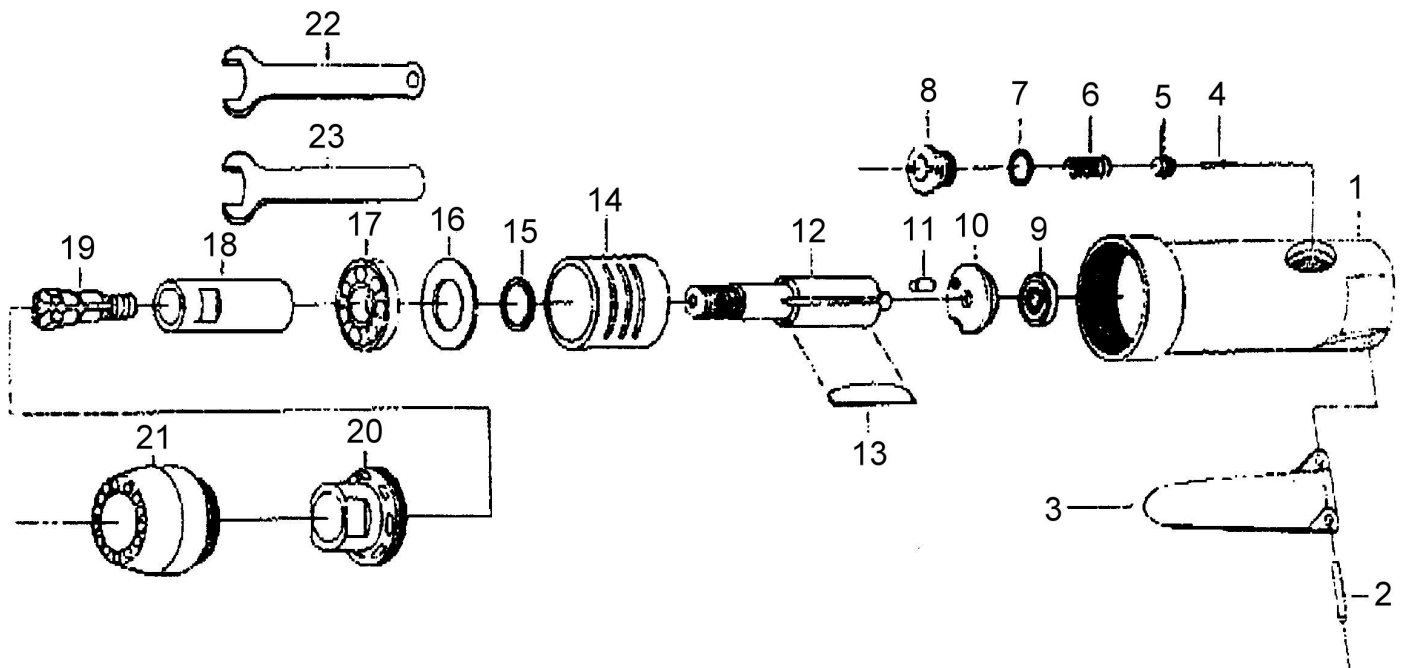




GISON Pneumatic Tools

GP-824S Mini Die Grinder



PARTS LIST

★ :Consuming Part

Item No.	Part No.	Description	Qty.	Item No.	Part No.	Description	Qty.
01	824S01	Housing	1	13	824S13	Vanes	4
02	824S02	Control Lever Pin	1	14	824S14	Cylinder	1
03	824S03	Throttle Lever	1	15	824S15	Front Plate	1
04	824S04	Valve Pin	1	16	824S16	Washer	1
05	824S05	Valve	1	17	824S17	Front Bearing	1
06	824S06	Spring	1	18	824S18	Chuck Casing	1
07	824S07	O-Ring	1	19	824S19	Collet	1
08	824S08	Valve Plug	1	20	824S20	Exhaust Deflector	1
09	824S09	Ball Bearing	1	21	824S21	Guard	1
10	824S10	Rear End Plate	1	22	824S22	Spanner	1
11	824S11	Pin	1	23	824S23	Spanner	1
12	824S12	Rotor	1				