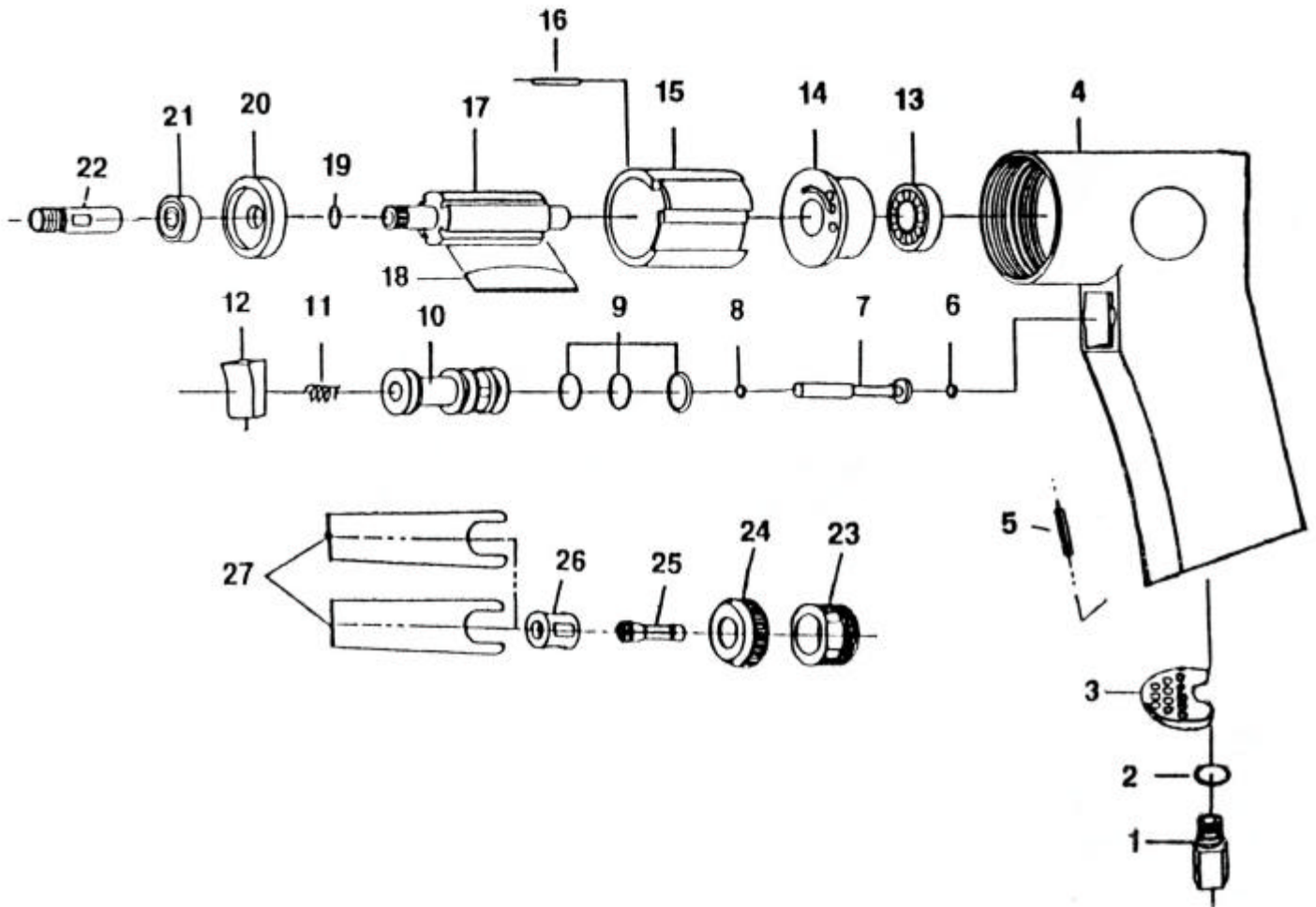


吉生 GISON

GP-824N Pistol Air Die Grinder



PARTS LIST

✧ : Consuming Part

Item No.	Part No.	Description	Qty.	Item No.	Part No.	Description	Qty.
1	824N01	Hose Adapter	1	15	824N15	Cylinder	1
2	824N02	O-Ring	1	16	824N16	Pin	2
3	824N03	Exhaust Sleeve	1	17	824N17	Rotor	1
4	824N04	Motor Housing	1	✧ 18	824N18	Rotor Blade	5
5	824N05	Spring Pin	1	19	824N19	Washer	1
6	824N06	O-Ring	1	20	824N20	Front End Plate	1
7	824N07	Valve Stem	1	21	824N21	Ball Bearing	1
8	824N08	O-Ring	1	22	824N22	Spindle	1
9	824N09	O-Ring	3	23	824N23	Retainer	1
10	824N10	Valve Body	1	24	824N24	Housing Cap	1
11	824N11	Spring	1	25	824N25	Collet	1
12	824N12	Trigger	1	26	824N26	Collet Nut	1
13	824N13	Ball Bearing	1	27	824N27	Spanner	2
14	824N14	Rear End Plate	1				