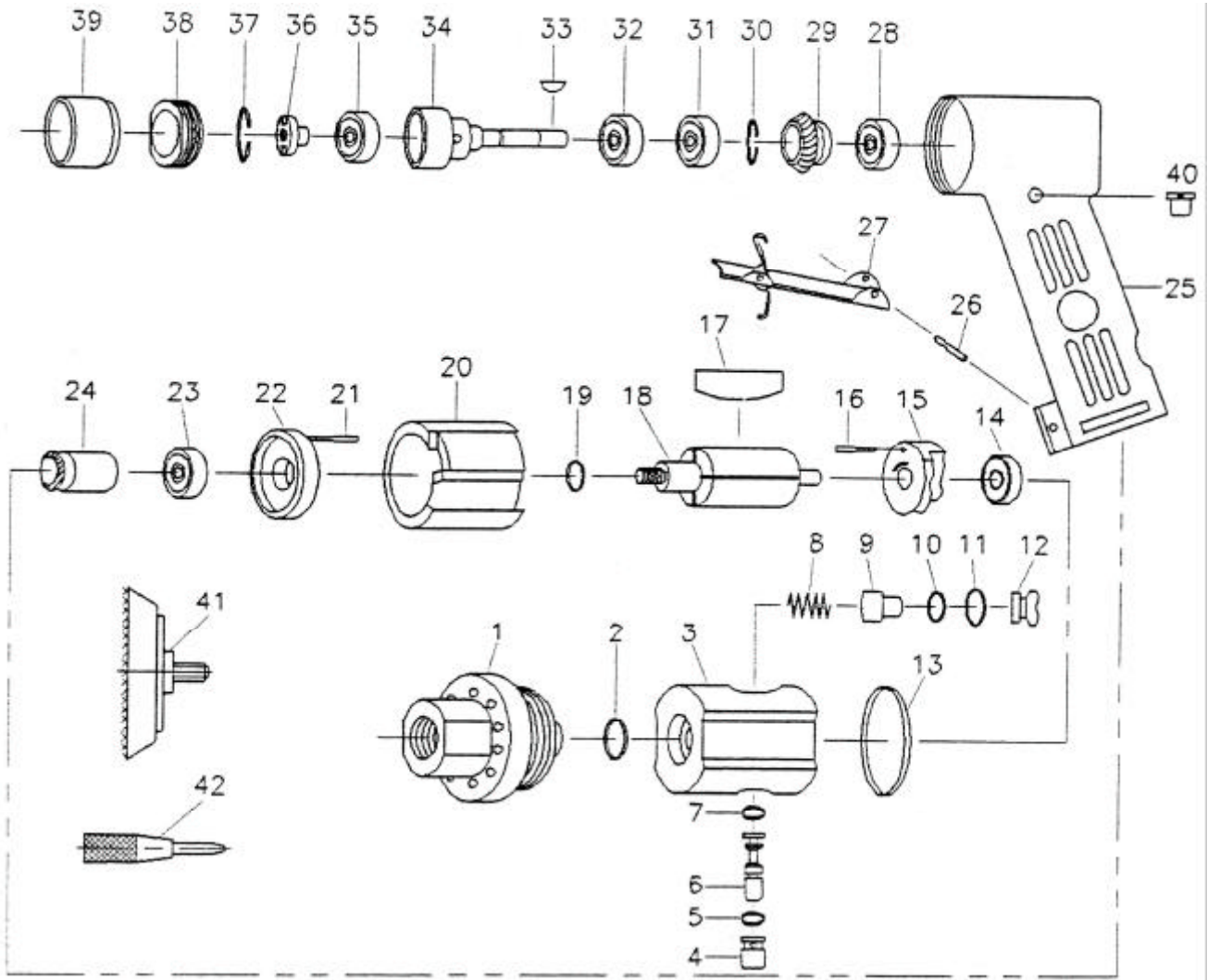


吉生 GISON

GP-824LS Angle Sander



PARTS LIST

✿ :Consuming Part

Item No.	Part No.	Description	Qty.	Item No.	Part No.	Description	Qty.
1	824LS01	Retainer	1	22	824LS22	Front Plate	1
2	824LS02	O-Ring	1	23	824LS23	Ball Bearing	1
3	824LS03	Valve Housing	1	24	824LS24	Bevel Gear	1
4	824LS04	Bush	1	25	824LS25	Housing	1
5	824LS05	O-Ring	1	26	824LS26	Spring Pin	1
6	824LS06	Valve	1	27	824LS27	Control Lever	1
7	824LS07	O-Ring	1	28	824LS28	Ball Bearing	1
8	824LS08	Spring	1	29	824LS29	Bevel Gear	1
9	824LS09	Speed	1	30	824LS30	Stop Ring	1
10	824LS10	O-Ring	1	31	824LS31	Ball Bearing	1
11	824LS11	O-Ring	1	32	824LS32	Ball Bearing	1
12	824LS12	Nut	1	33	824LS33	Key	1
13	824LS13	Packing	1	34	824LS34	Spindle	1
14	824LS14	Ball Bearing	1	35	824LS35	Ball Bearing	1
15	824LS15	Rear End Plate	1	36	824LS36	Nut	1
16	824LS16	Spring Pin	1	37	824LS37	Stop Ring	1
✿ 17	824LS17	Rotor Blade	4	38	824LS38	Retainer	1
18	824LS18	Rotor	1	39	824LS39	Guard	1
19	824LS19	Washer	1	40	824LS40	Oil Cap	1
20	824LS20	Cylinder	1	41	824LS41	Pu Pad	1
21	824LS21	Spring Pin	1	42	824LS42	Key	1