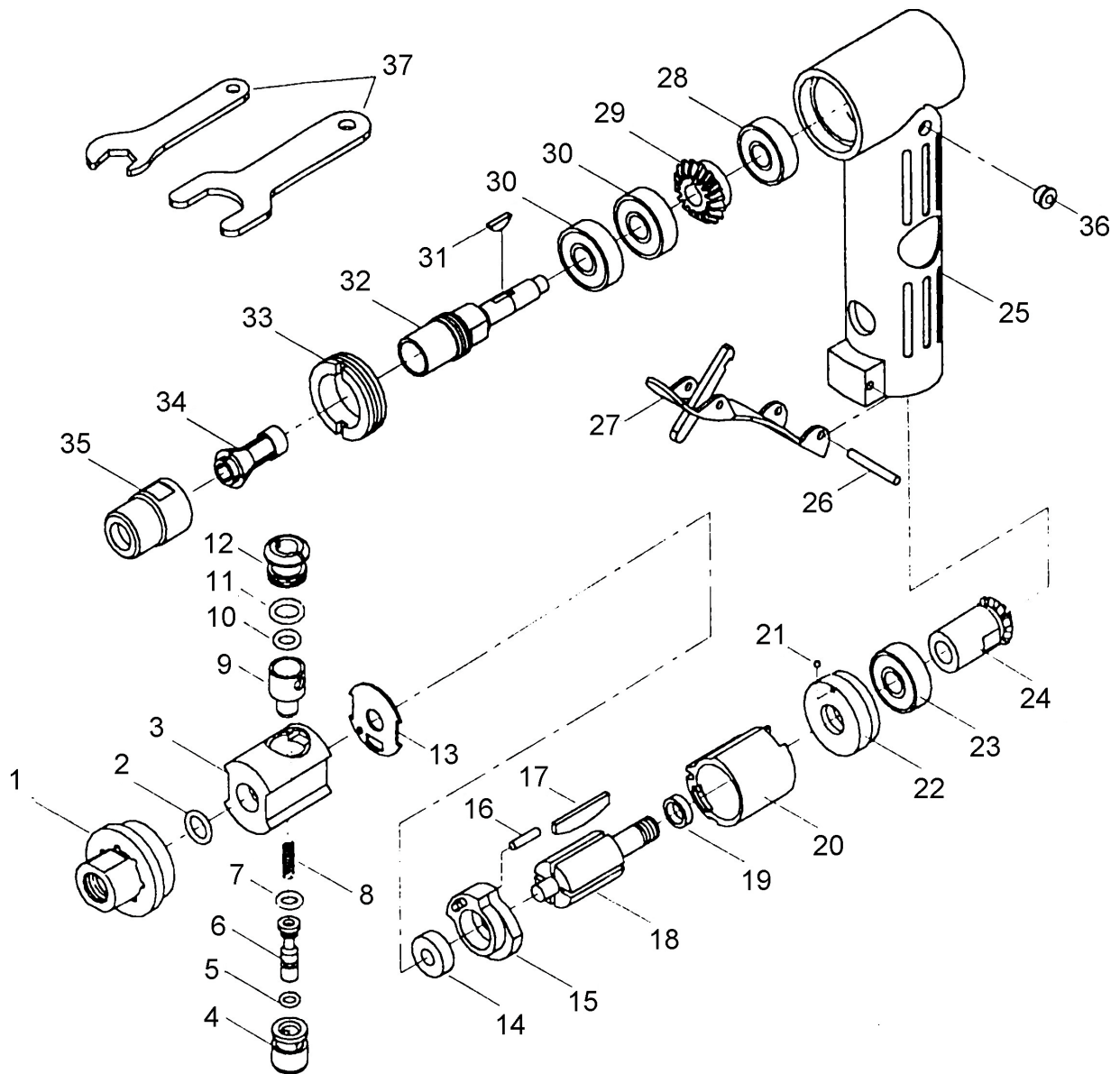




GISON Pneumatic Tools

GP-824LG/LGA 90° Angle Air Die Grinder



PARTS LIST

✳ : Consuming Part

Item No.	Part No.	Description	Qty.	Item No.	Part No.	Description	Qty.
1	824LG01	Retainer	1	20	824LG20	Cylinder	1
2	824LG02	O-Ring	1	21	824LG21	Ball	1
3	824LG03	Valve Housing	1	22	824LG22	Front Plate	1
4	824LG04	Bushing	1	✳ 23	824LG23	Ball Bearing	1
5	824LG05	O-Ring	1	24	824LG24	Bevel Gear	1
6	824LG06	Valve	1	25	824LG25	Housing	1
7	824LG07	O-Ring	1	26	824LG26	Spring Pin	1
8	824LG08	Spring	1	27	824LG27	Control Lever	1
9	824LG09	Speed Regulator	1	✳ 28	824LG28	Ball Bearing	1
10	824LG10	O-Ring	1	✳ 29	824LG29	Bevel Gear	1
11	824LG11	O-Ring	1	✳ 30	824LG30	Ball Bearing	2
12	824LG12	Nut	1	31	824LG31	Key	1
13	824LG13	Packing	1	32	824LG32	Chuck Casing	1
✳ 14	824LG14	Ball Bearing	1	33	824LG33	Retainer	1
15	824LG15	Rear End Plate	1	34	824LG34	Collet	1
16	824LG16	Spring Pin	1	35	824LG35	Clamp Nut	1
✳ 17	824LG17	Rotor Blade	4	36	824LG36	Oil Cap	1
18	824LG18	Rotor	1	37	824LG37	Wrench (14mm, 17mm)	2
19	824LG19	Washer	1				