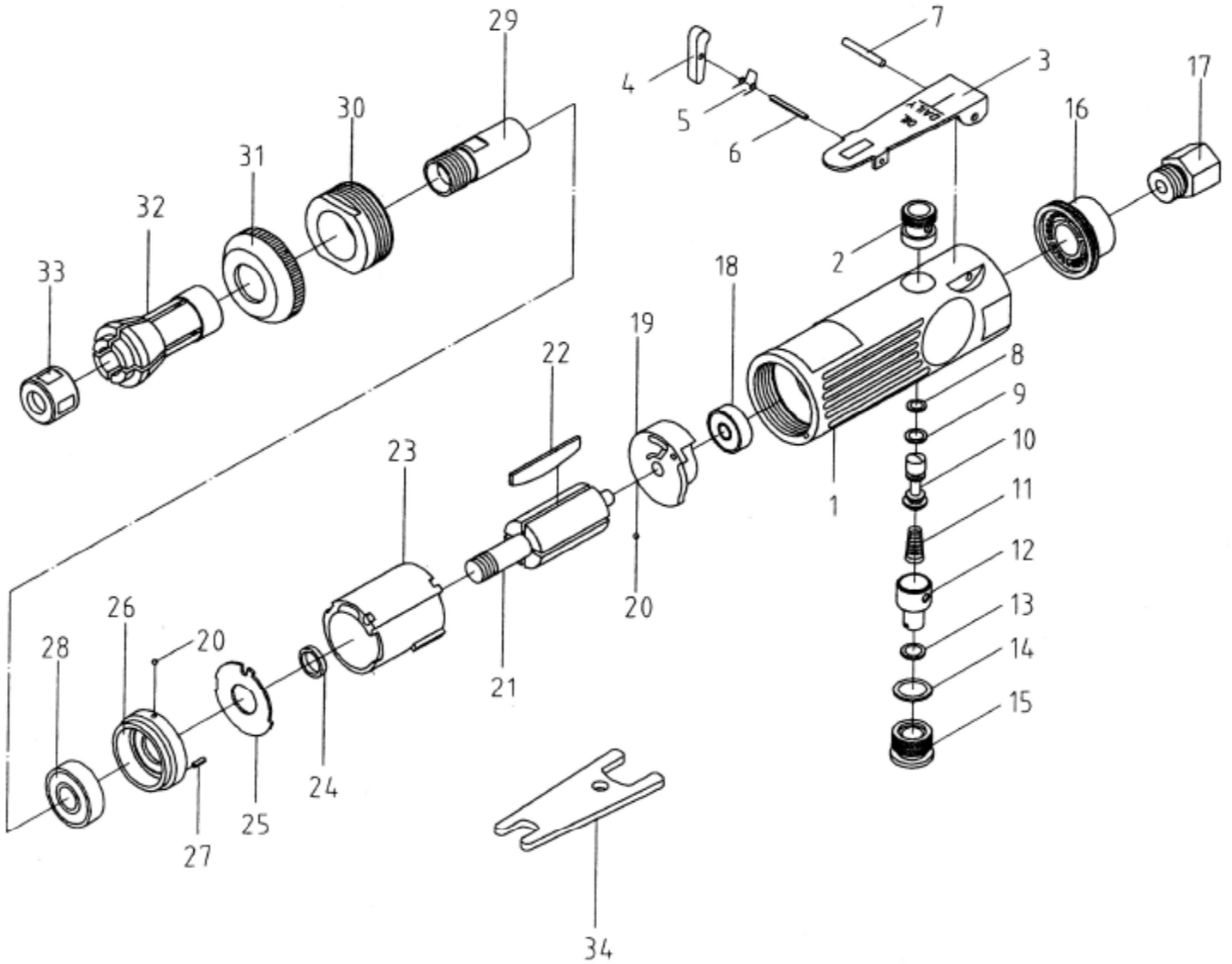


吉生 GISON

GP-824L Air Die Grinder



PARTS LIST

✳ : Consuming Part

| Item No. | Part No. | Description | Qty. | Item No. | Part No. | Description | Qty. |
|----------|----------|---------------|------|----------|----------|---------------|------|
| 01 | 824L01 | Housing | 1 | 18 | 824L18 | Bearing | 1 |
| 02 | 824L02 | Valve Bushing | 1 | 19 | 824L19 | End Plate | 1 |
| 03 | 824L03 | Trigger | 1 | 20 | 824L20 | Steel Ball | 2 |
| 04 | 824L04 | Lever | 1 | 21 | 824L21 | Rotor | 1 |
| 05 | 824L05 | Spring | 1 | 22 | 824L22 | Rotor Blade | 4 |
| 06 | 824L06 | Pin | 1 | 23 | 824L23 | Cylinder | 1 |
| 07 | 824L07 | Pin | 1 | 24 | 824L24 | Washer | 1 |
| 08 | 824L08 | O-Ring | 1 | 25 | 824L25 | Washer | 1 |
| 09 | 824L09 | O-Ring | 1 | 26 | 824L26 | Front Plate | 1 |
| 10 | 824L10 | Valve Stem | 1 | 27 | 824L27 | Pin | 1 |
| 11 | 824L11 | Spring | 1 | 28 | 824L28 | Bearing | 1 |
| 12 | 824L12 | Air Regulator | 1 | 29 | 824L29 | Collet Holder | 1 |
| 13 | 824L13 | O-Ring | 1 | 30 | 824L30 | Retainer | 1 |
| 14 | 824L14 | O-Ring | 1 | 31 | 824L31 | Housing Cap | 1 |
| 15 | 824L15 | Valve Plug | 1 | 32 | 824L32 | Collet | 1 |
| 16 | 824L16 | Muffle Cover | 4 | 33 | 824L33 | Cap | 1 |
| 17 | 824L17 | Air Inlet | 1 | 34 | 824L34 | Wrench | 2 |