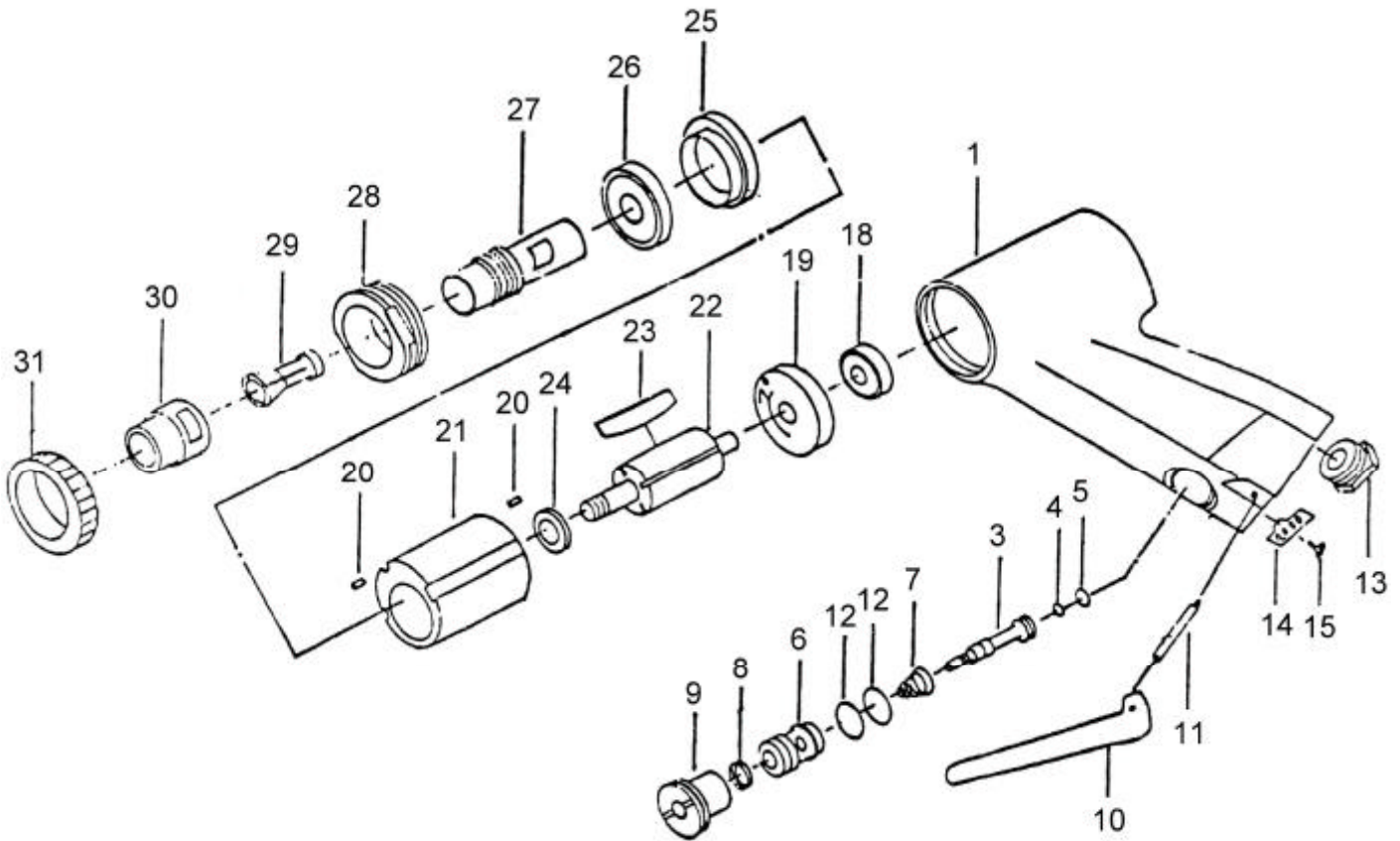


吉生 GISON

GP-824I 120° Angle Die Grinder



PARTS LIST

✦ : Consuming Part

No.	Part No.	Description	Qty.	No.	Part No.	Description	Qty.
01	824I01	Motor Housing	1	19	824I19	Rear End Plate	1
03	824I03	Throttle Valve	1	20	824I20	Dowel Pin	2
04	824I04	Throttle Valve O-Ring	1	21	824I21	Cylinder	1
05	824I05	Throttle Valve O-Ring	1	22	824I22	Rotor	1
06	824I06	Throttle Valve Bushing	1	✦ 23	824I23	Rotor Blade	4
07	824I07	Throttle Valve Spring	1	24	824I24	Rotor Collar	1
08	824I08	Air Regulator	1	25	824I25	Front End Plate	1
09	824I09	Valve Screw	1	26	824I26	Front Rotor Ball Bearing	1
10	824I10	Throttle Lever	1	27	824I27	Spindle	1
11	824I11	Throttle Lever Pin	1	28	824I28	Lock Nut	1
12	824I12	Valve Bushing O-Ring	2	29	824I29	Collect	1
13	824I13	Inlet Bushing	1	30	824I30	Collect Nut	1
14	824I14	Exhaust Muffler	1				
15	824I15	Exhaust Muffler Screw	1		824I32	17 mm Spannder Wrench	1
18	824I18	Rear Rotor Ball Bearing	1		824I33	11 mm Spanner Wrench	1