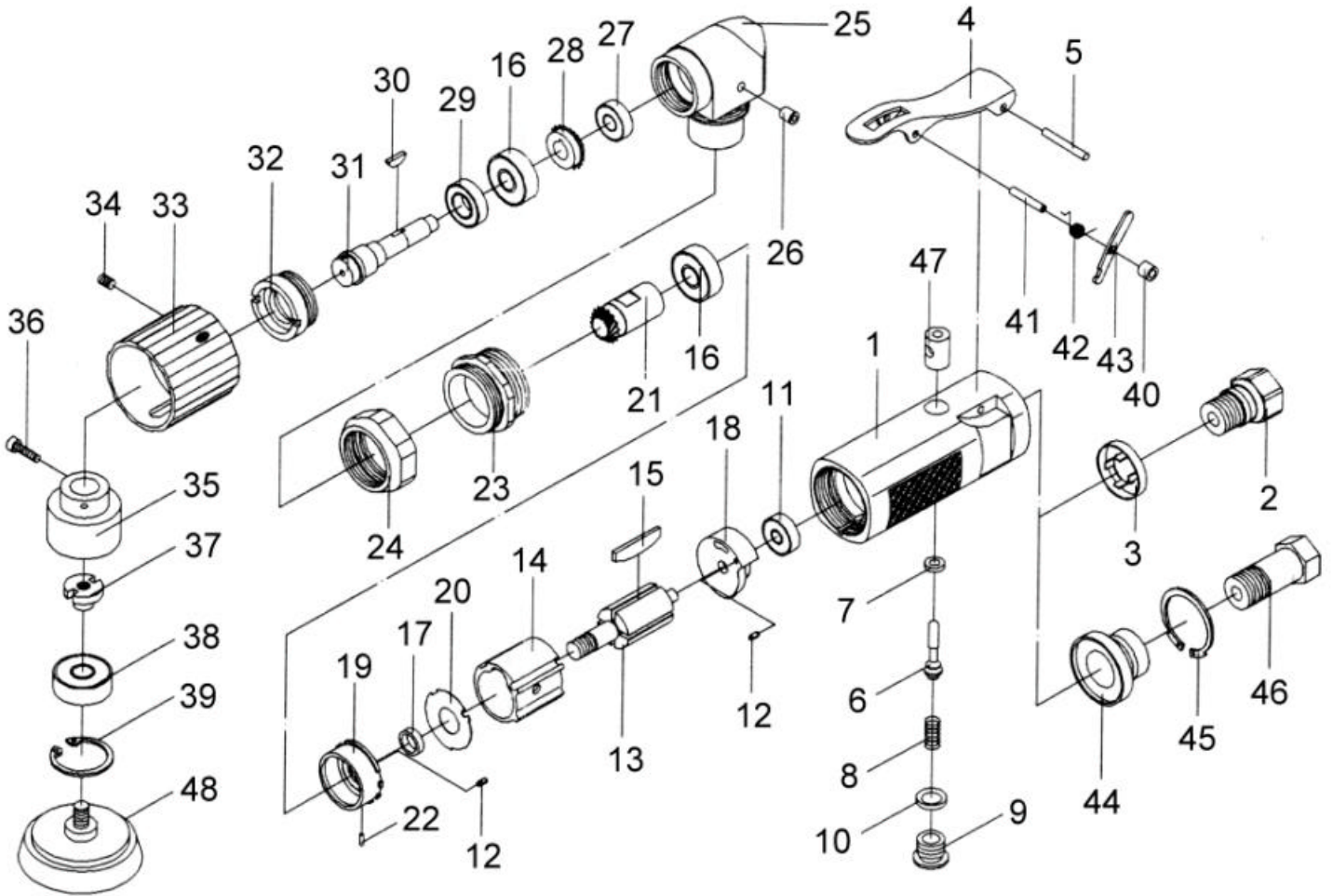


吉生 GISON

GP-824HS 2" Angle Sander



PARTS LIST

✳ :Consuming Part

Item No.	Part No.	Description	Qty.	Item No.	Part No.	Description	Qty.
01	824HS01	Housing	1	26	824HS26	Grease Cap	1
02	824HS02	Air Inlet	1	27	824HS27	Ball Bearing	1
03	824HS03	Muffle Cover	1	28	824HS28	Angle Gear	1
04	824HS04	Trigger	1	29	824HS29	Ball Bearing	1
05	824HS05	Pin	1	30	824HS30	Woodruff Key	1
06	824HS06	Valve Stem	1	31	824HS31	Work Spindle	1
07	824HS07	O-Ring	1	32	824HS32	Lock Nut	1
08	824HS08	Spring	1	33	824HS33	Drive Housing	1
09	824HS09	Valve Plug	1	34	824HS34	Screw	2
10	824HS10	O-Ring	1	35	824HS35	Balancer	1
11	824HS11	Ball Bearing	1	36	824HS36	Screw	1
12	824HS12	Pin	2	37	824HS37	Drive Spindle	1
13	824HS13	Rotor	1	38	824HS38	Ball Bearing	1
14	824HS14	Cylinder	1	39	824HS39	Retaining Ring	1
✳ 15	824HS15	Rotor Blade	4	40	824HS40	Bushing	1
16	824HS16	Ball Bearing	2	41	824HS41	Pin	1
17	824HS17	Rotor Collar	1	42	824HS42	Spring	1
18	824HS18	End Plate	1	43	824HS43	Lever	1
19	824HS19	Front Plate	1	44	824HS44	Muffle Cover	1
20	824HS20	Washer	1	45	824HS45	Retainer Ring	1
21	824HS21	Angle Gear	1	46	824HS46	Air Inlet	1
22	824HS22	Pin	1	47	824HS47	Valve Bushing	1
23	824HS23	Clamp Nut	1	48	824HS48	Pad	1
24	824HS24	Cap	1	51	824HS51	O-Ring	1
25	824HS25	Angle Head	1				