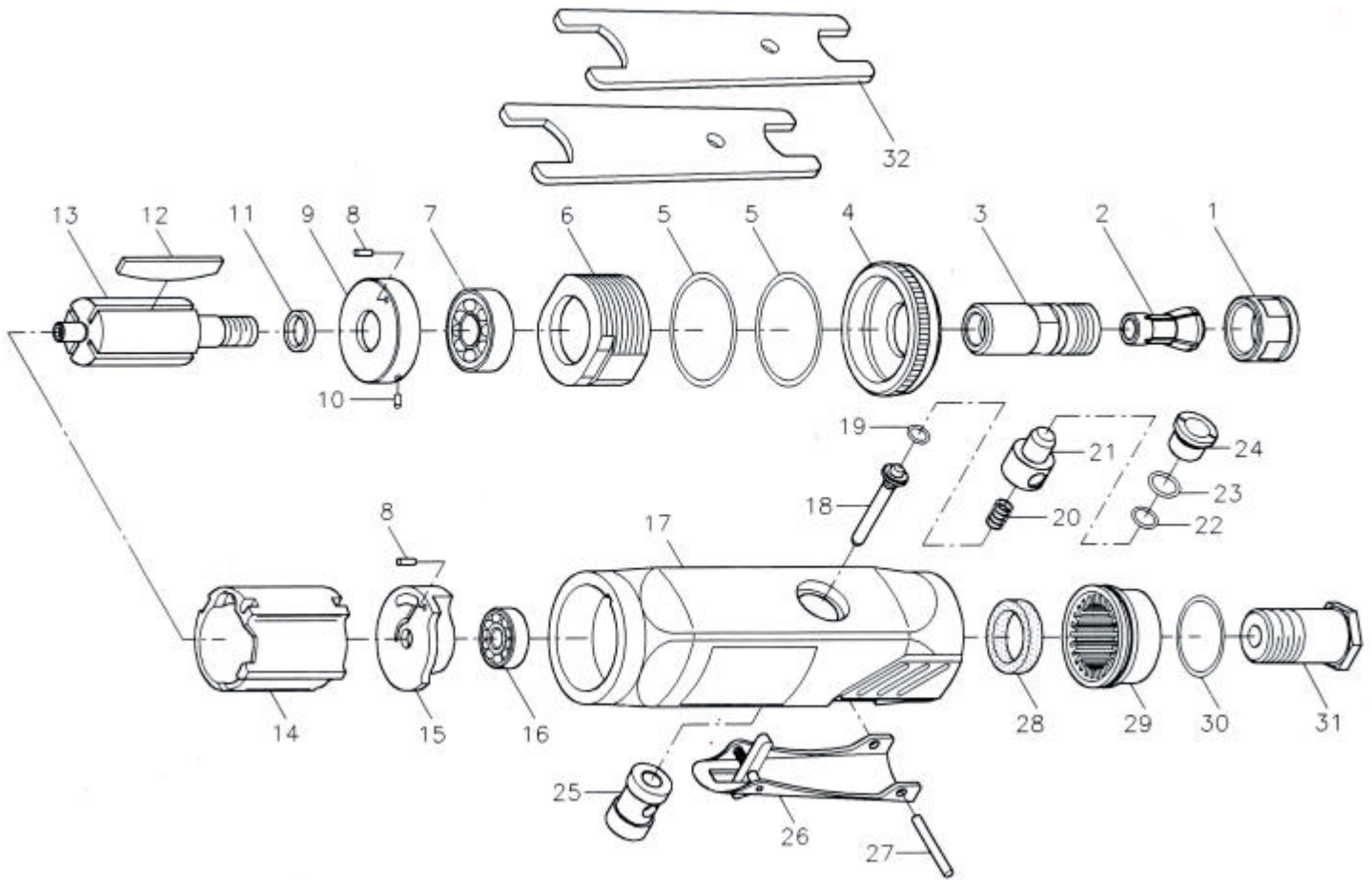




# GISON Pneumatic Tools

## GP-824F 6mm Professional Die Grinder



### PARTS LIST

✳ : Consuming Part

Item No.	Part No.	Description	Qty.	Item No.	Part No.	Description	Qty.
1	824F01	Collect Nut	1	18	824F18	Valve Stem	1
2	824F02	Collect	1	19	824F19	O-Ring	1
3	824F03	Spindle	1	20	824F20	Spring	1
4	824F04	Housing Cover	1	21	824F21	Regulator	1
5	824F05	O-Ring	2	22	824F22	O-Ring	1
6	824F06	Clamp Nut	1	23	824F23	O-Ring	1
7	824F07	Ball Bearing	1	24	824F24	Valve Plug	1
8	824F08	Spring Pin	2	25	824F25	Bushing	1
9	824F09	Front End Plate	1	26	824F26	Throttle Lever	1
10	824F10	Spring Pin	1	27	824F27	Spring Pin	1
11	824F11	Spacer	1	28	824F28	Muffler	1
12	824F12	Rotor Blade	4	29	824F29	Hose Adapter	1
13	824F13	Rotor	1	30	824F30	O-Ring	1
14	824F14	Cylinder	1	31	824F31	Air Inlet (1/4"PF)	1
15	824F15	Rear End Plate	1			Air Inlet (1/4"PT)	
16	824F16	Ball Bearing	1			Air Inlet (1/4"NPT)	
17	824F17	Motor Housing	1	32	824F32	Double Ended Wrench	2