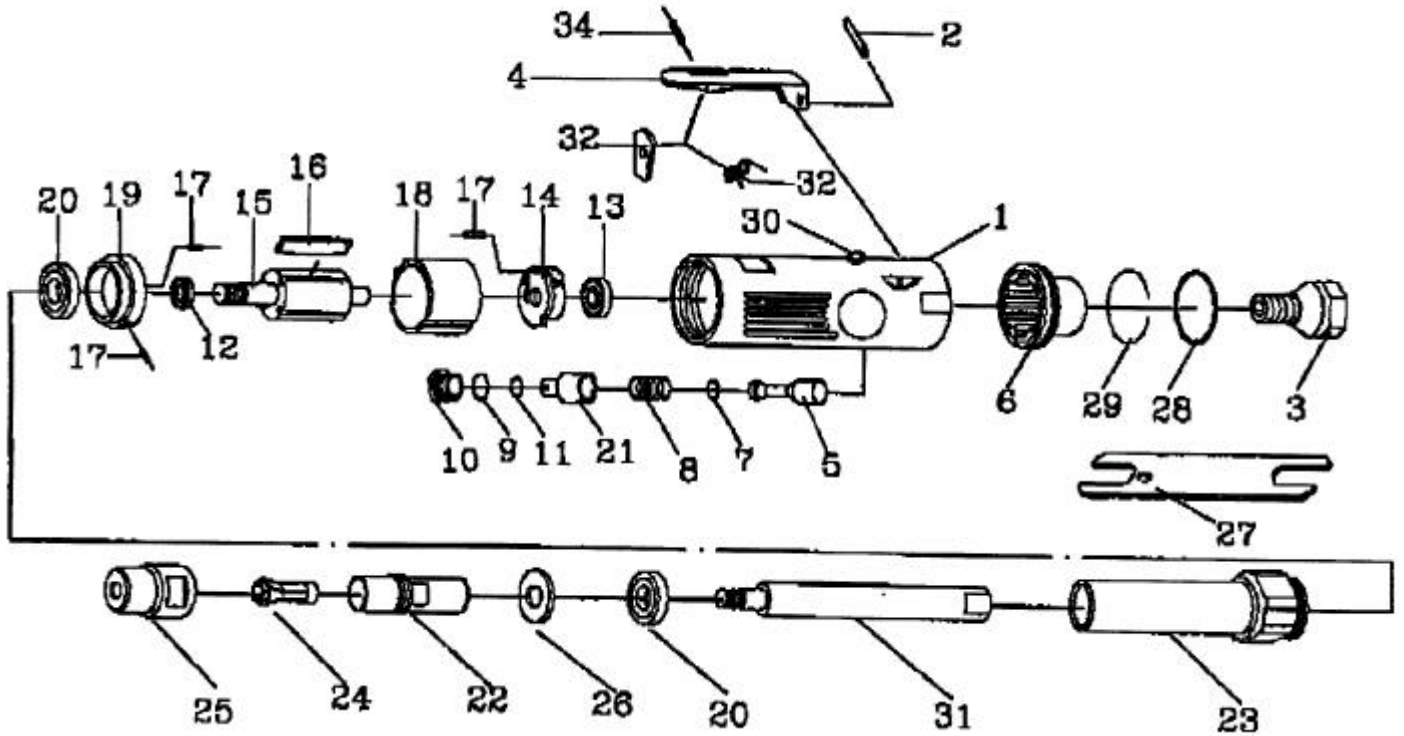


# 吉生 GISON

## GP-824ED Extended Mini Die Grinder



### PARTS LIST

✳ : Consuming Part

Item No.	Part No.	Description	Qty.	Item No.	Part No.	Description	Qty.
1	824ED01	Motor Housing	1	18	824ED18	Cylinder	1
2	824ED02	Lever Pin	1	19	824ED19	Front End Plate	1
3	824ED03	Air Inlet	1	20	824ED20	Ball Bearing	2
4	824ED04	Throttle Lever	1	21	824ED21	Controller	1
5	824ED05	Valve Stem	1	22	824ED22	Spindle	1
6	824ED06	Deflector	1	23	824ED23	Extension Housing	1
7	824ED07	O-Ring	1	24	824ED24	Collet	1
8	824ED08	Spring	1	25	824ED25	Collet Nut	1
9	824ED09	O-Ring	1	26	824ED26	Washer	1
10	824ED10	Valve Screw	1	27	824ED27	Spanner	2
11	824ED11	O-Ring	1	28	824ED28	O-Ring	1
12	824ED12	Rotor Spacer	1	29	824ED29	Retaining	1
13	824ED13	Ball Bearing	1	30	824ED30	Bushing	1
14	824ED14	Rear Plate	1	31	824ED31	Tension Shaft	1
15	824ED15	Rotor	1	32	824ED32	Spring	1
16	824ED16	Rotor Blade	4	33	824ED33	Safety Bar	1
17	824ED17	Pin	3	34	824ED34	Spring Pin	1