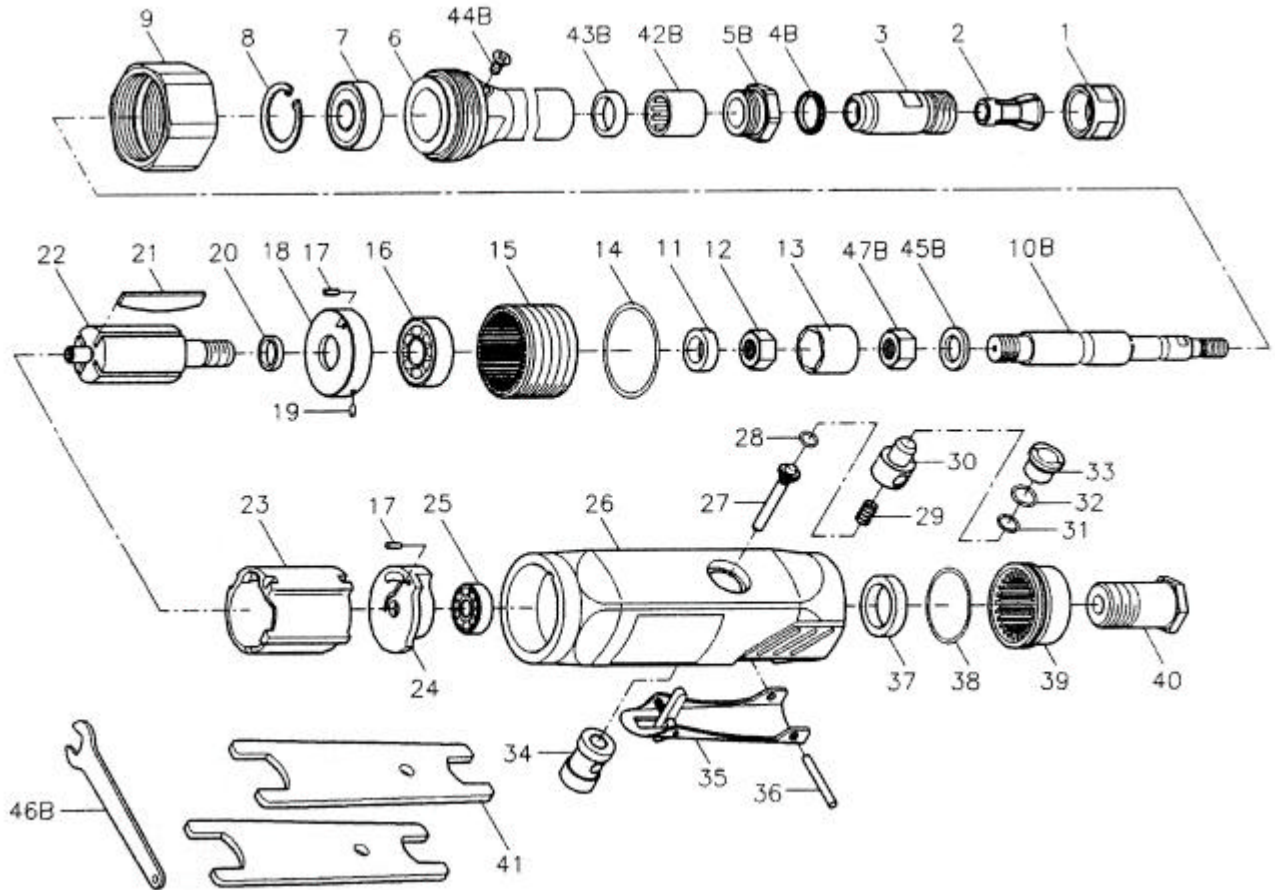


GISON Pneumatic Tools

GP-824EC Air Extension Die Grinder



PARTS LIST

✦ :Consuming Part

Item No.	Part No.	Description	Qty.	Item No.	Part No.	Description	Qty.
1	824EC01	Collect Nut	1	26	824EC26	Motor Housing	1
2	824EC02	Collect	1	27	824EC27	Valve Stem	1
3B	824EC3B	Spindle	1	28	824EC28	O-Ring	1
4B	824EC4B	Wooly Muffler	1	29	824EC29	Spring	1
5B	824EC5B	Rear Cover	1	30	824EC30	Regulator	1
6B	824EC6B	Spindle Housing	1	31	824EC31	O-Ring	1
7	824EC7	Ball Bearing	1	32	824EC32	O-Ring	1
8	824EC8	Snap Ring	1	33	824EC33	Valve Plug	1
9	824EC9	Clamp Nut	1	34	824EC34	Bushing	1
10B	824EC10B	Shaft	1	35	824EC35	Throttle Lever	1
11	824EC11	Spacer	1	36	824EC36	Spring Pin	1
12	824EC12	Nut	1	37	824EC37	Muffler	1
13B	824EC13B	Coupling	1	38	824EC38	O-Ring	1
14	824EC14	Gasket	1	39	824EC39	Hose Adapter	1
15	824EC15	Idler Gear Housing	1		824EC40A	Air Inlet (1/4"PF)	
16	824EC16	Ball Bearing	1	40	824EC40B	Air Inlet (1/4"PT)	1
17	824EC17	Spring Pin	2		824EC40C	Air Inlet (1/4"NPT)	
18	824EC18	Front End Plate	1	41	824EC41	Spanner	2
19	824EC19	Spring Pin	1	42B	824EC42B	Needle Bearing	1
20	824EC20	Spacer	1	43B	824EC43B	Washer	1
21	824EC21	Rotor Blade	4	44B	824EC44B	Screw	1
22	824EC22	Rotor	1	45B	824EC45B	Washer	1
23	824EC23	Cylinder	1	46B	824EC46B	Spanner	1
24	824EC24	Rear End Plate	1	47B	824EC47B	Nut	1
25	824EC25	Ball Bearing	1				