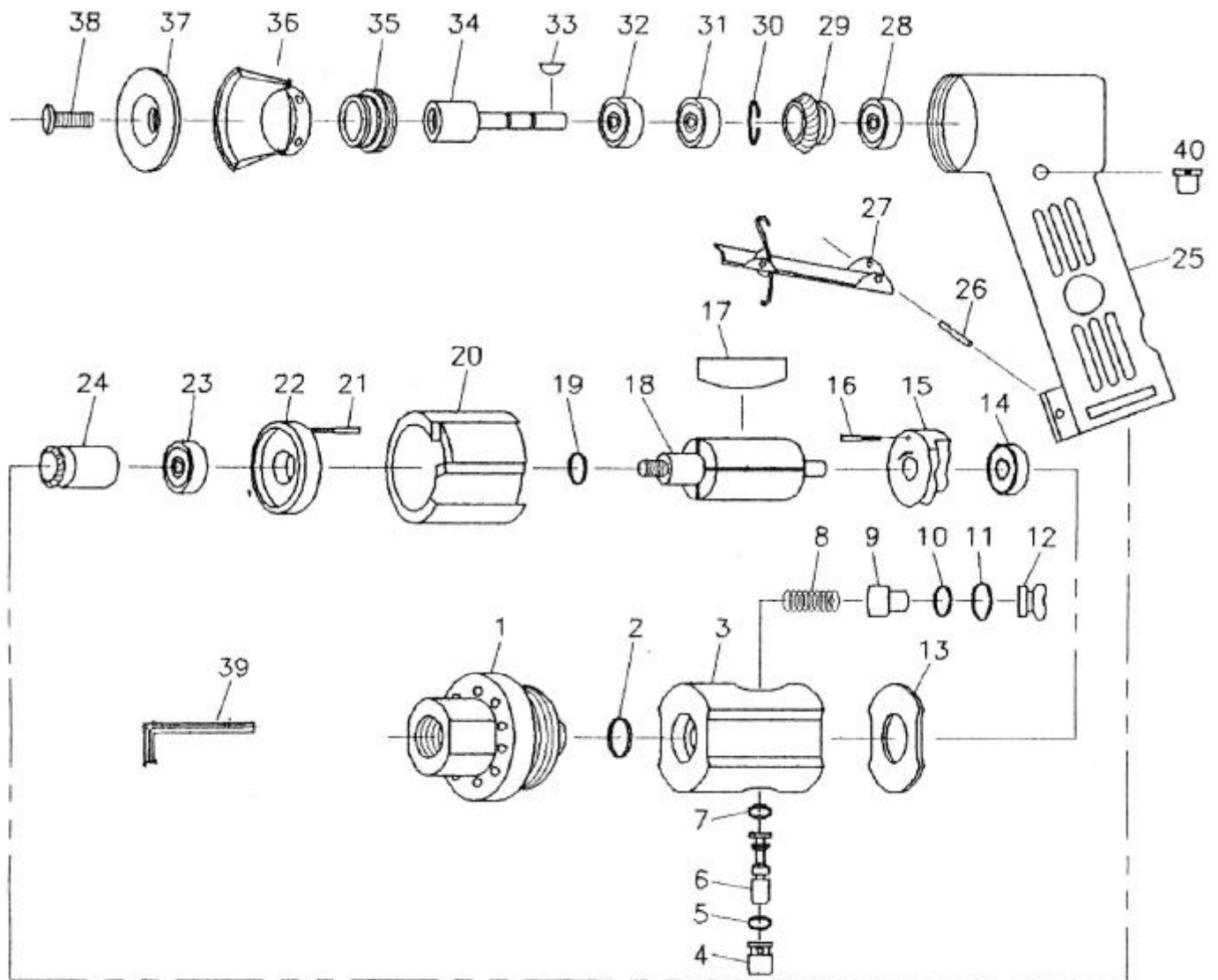


# 吉生 GISON

## GP-824CG 2" Angle Grinder



### PARTS LIST

✿ : Consuming Part

Item No.	Part No.	Description	Qty.	Item No.	Part No.	Description	Qty.
1	824C01	Retainer	1	21	824C21	Spring Pin	1
2	824C02	O-Ring	1	22	824C22	Front Plate	1
3	824C03	Valve Housing	1	23	824C23	Ball Bearing	1
4	824C04	Bush	1	24	824C24	Bevel Gear	1
5	824C05	O-Ring	1	25	824C25	Housing	1
6	824C06	Valve	1	26	824C26	Spring Pin	1
7	824C07	O-Ring	1	27	824C27	Safety Lever	1
8	824C08	Spring	1	28	824C28	Ball Bearing	1
9	824C09	Air Regulator	1	29	824C29	Bevel Gear	1
10	824C10	O-Ring	1	30	824C30	Stop Ring	1
11	824C11	O-Ring	1	31	824C31	Ball Bearing	1
12	824C12	Nut	1	32	824C32	Ball Bearing	1
13	824C13	Packing	1	33	824C33	Key	1
14	824C14	Ball Bearing	1	34	824C34	Spindle	1
15	824C15	Rear Plate	1	35	824C35	Retainer	1
16	824C16	Spring Pin	1	36	824C36	Cover	1
✿ 17	824C17	Rotor Blade	4	37	824C37	Grinding Wheel	1
18	824C18	Rotor	1	38	824C38	Screw	1
19	824C19	Washer	1	39	824C39	Wrench	1
20	824C20	Cylinder	1				