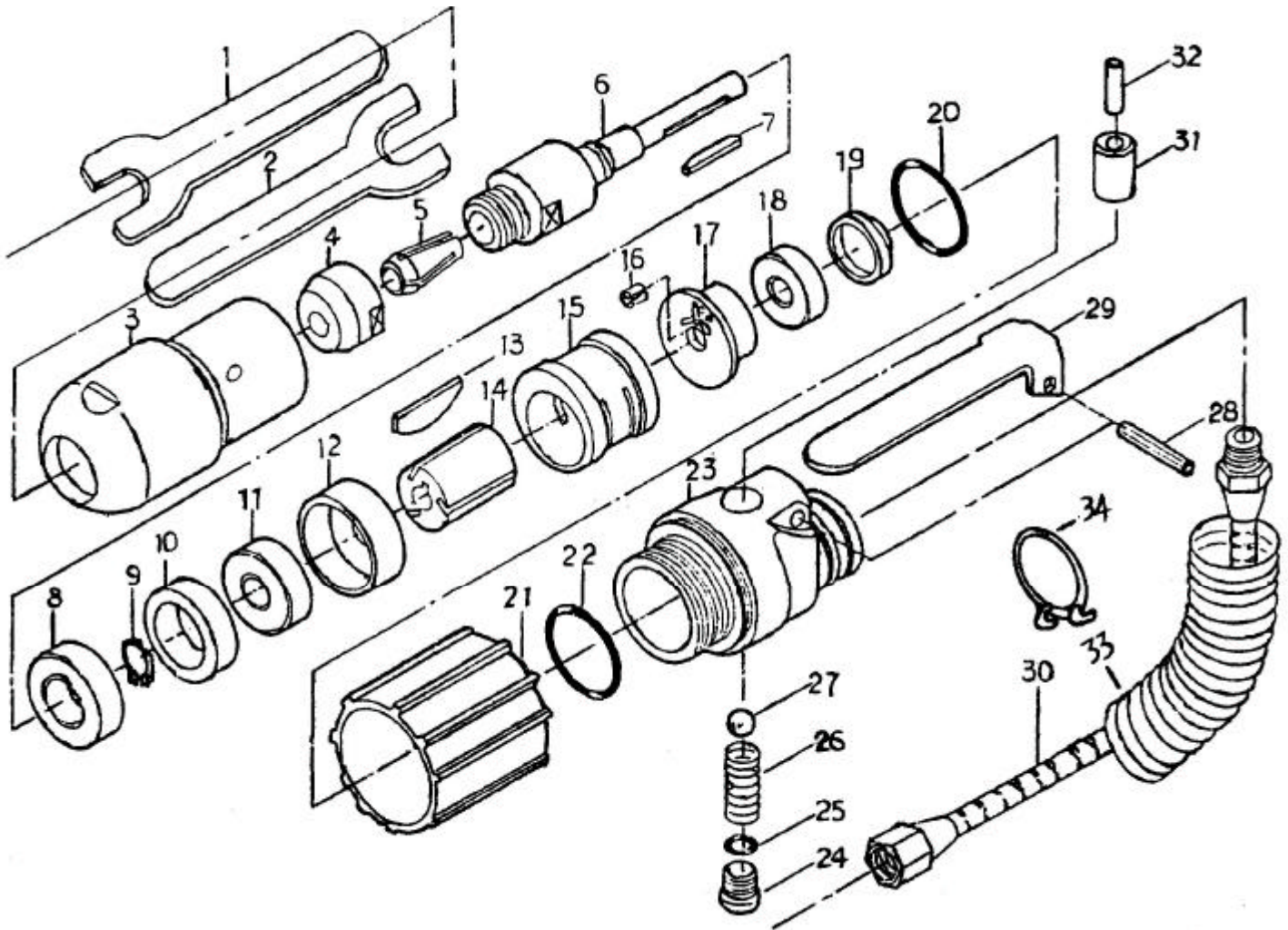


吉生 GISON

GP-824B Professional Die Grinder



PARTS LIST

✳ : Consuming Part

Item No.	Part No.	Description	Qty.	Item No.	Part No.	Description	Qty.
1	824B01	Spanner	1	17	824B17	Rear End Plate	1
2	824B02	Spanner	1	18	824B18	Ball Bearing	1
3	824B03	Motor Housing	1	19	824B19	Rear End Plate Cap	1
4	824B04	Collet Nut	1	20	824B20	O-Ring	1
5	824B05-1	3 mm Collet	1	21	824B21	Exhaust Deflector	1
	824B05-2	6 mm Collet		22	824B22	O-Ring	1
	824B05-3	1/8" Collet		23	824B23	Valve Body	1
	824B05-4	1/4" Collet		24	824B24	Valve Plug	1
6	824B06	Spindle	1	25	824B25	O-Ring	1
7	824B07	Key	1	26	824B26	Valve Spring	1
8	824B08	Ball Bearing	1	27	824B27	Steel Ball	1
9	824B09	Outer Snap Ring	1	28	824B28	Roll Pin	1
10	824B10	Spacer	1	29	824B29	Valve Lever	1
11	824B11	Ball Bearing	1	30	824B30	Air Inlet Bushing	1
12	824B12	Front End Plate	1	31	824B31	Valve Bushing	1
✳ 13	824B13	Rotor Blade	3	32	824B32	Valve Pin	1
14	824B14	Rotor	1	33	824B33	Exhaust Hose	1
15	824B15	Cylinder	1	34	824B34	Circlip	1
16	824B16	Roll Pin	1				