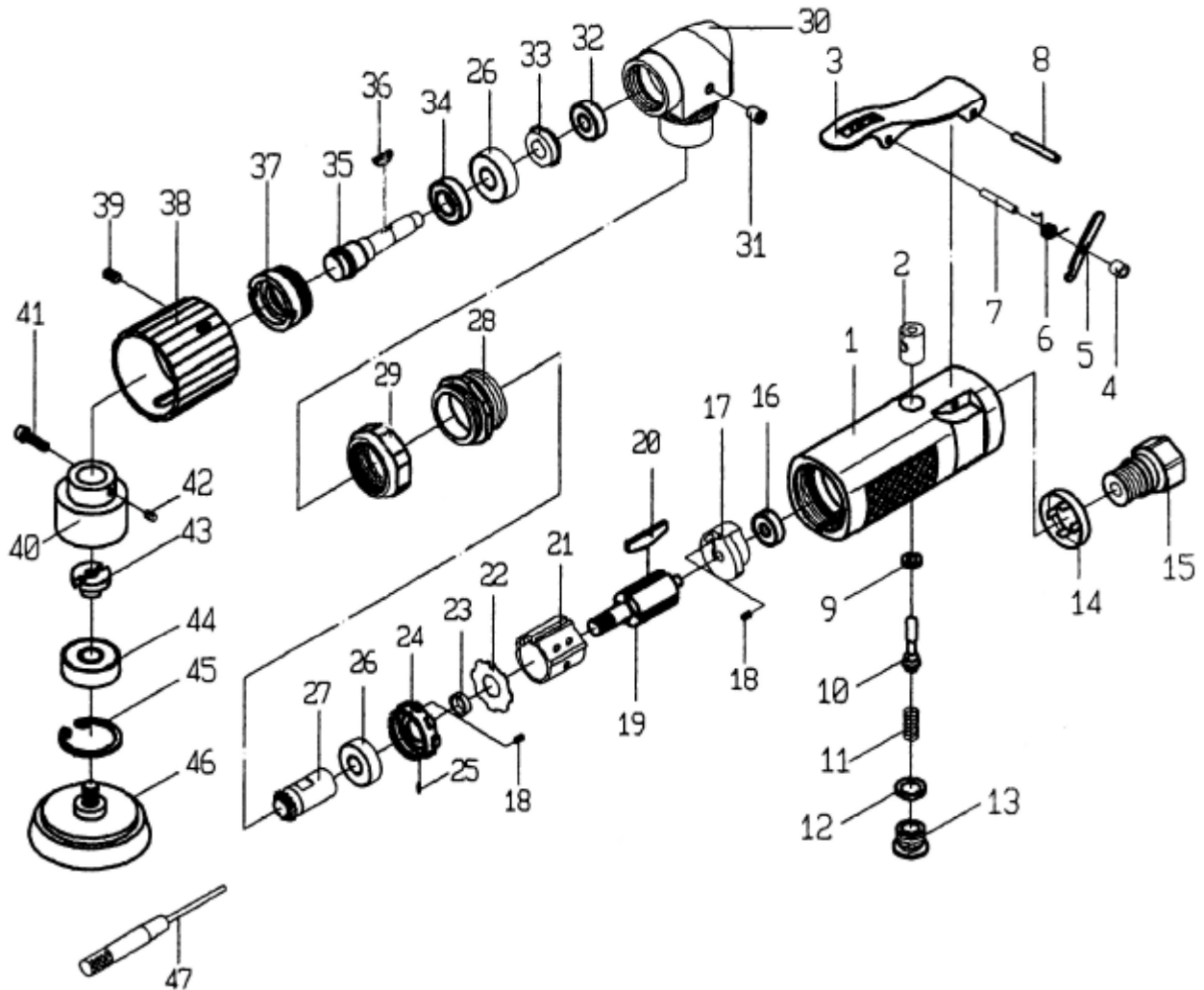


# 吉生 GISON

## GP-824AG Air Angle Die Grinder



### PARTS LIST

✳ : Consuming Part

No.	Part No.	Description	Qty.	No.	Part No.	Description	Qty.
01	824AG01	Housing	1	25	824AG25	Pin	1
02	824AG02	Valve Bushing	1	26	824AG26	Bearing	2
03	824AG03	Trigger	1	27	824AG27	Angle Gear	1
04	824AG04	Bushing	1	28	824AG28	Clamp Nut	1
05	824AG05	Lever	1	29	824AG29	Cap	1
06	824AG06	Spring	1	30	824AG30	Angle Head	1
07	824AG07	Pin	1	31	824AG31	Grease Cap	1
08	824AG08	Pin	1	32	824AG32	Bearing	1
09	824AG09	O-Ring	1	33	824AG33	Angle Gear	1
10	824AG10	Valve Stem	1	34	824AG34	Bearing	1
11	824AG11	Spring	1	35	824AG35	Work Spindle	1
12	824AG12	O-Ring	1	36	824AG36	Woodruff Key	1
13	824AG13	Valve Plug	1	37	824AG37	Lock Nut	1
14	824AG14	Muffle Cover	1	38	824AG38	Driver Housing	1
15	824AG15	Air Inlet	1	39	824AG39	Screw	2
16	824AG16	Bearing	1	40	824AG40	Balancer	1
17	824AG17	End Plate	1	41	824AG41	Screw	1
18	824AG18	Pin	2	42	824AG42	Screw	1
19	824AG19	Rotor	1	43	824AG43	Drive Spindle	1
20	824AG20	Rotor Blade	4	44	824AG44	Bearing	1
21	824AG21	Cylinder	1	45	824AG45	Retaining Ring	1
22	824AG22	Washer	1	46	824AG46	Pad	1
23	824AG23	Rotor Collar	1	47	824AG47	Rund Bar	1
24	824AG24	Front End Plate	1				